

Singer 31-17

Singer 31-18

Singer 31-29

Form 19689
(541)
Printed in U. S. A.

LIST OF PARTS



MACHINES
Nos. 31-17, 31-18 and 31-29

** A TRADE MARK OF
THE SINGER MANUFACTURING COMPANY

INSTRUCTIONS FOR OILING

To ensure easy running and prevent unnecessary wear of the parts which are in movable contact, the machine requires oiling and when in continuous use, "TYPE B" or "TYPE D" OIL, sold only by Singer Sewing Machine Company, should be applied at least twice each day to all oil holes marked "OIL", as instructed in Form 18711.

"TYPE D" OIL is stainless.

Copyright, U. S. A., 1930, 1939, 1940 and 1941
by The Singer Manufacturing Co.
All Rights Reserved for all Countries

INDEX

	Page
Attachments and Accessories.....	26
Belt Guards.....	26
Bobbin Winders.....	27 to 29
Bobbin Winder (Universal).....	29
Edge Guides.....	30 and 31
Guides.....	33
Feller (Foot).....	31
Finger Guards.....	31
Foot Lifter Parts.....	32
Guide (Adjustable) Hinged.....	33
Knee Lifter Parts.....	34
Machine Base.....	35
Machine No. 31-17.....	5
Machine No. 31-18.....	12
Machine No. 31-29.....	19
Numerical List of Parts.....	41
Roller Pressers (Ball Bearing).....	37
Roller Pressers with Ratchet Brake (Ball Bearing).....	38
Roller Pressers (Plain).....	36
Thread Unwinders.....	39

From the library of: Diamond Needle Corp.

INSTRUCTIONS FOR ORDERING

In ordering from this list, use ONLY the part NUMBER in the FIRST column.

The number stamped on a Sewing Machine Part is in every case the number of the single part only.

Every combination of parts sent out as such has its specific number, which, although not stamped on the parts, must be used when ordering the combination.

Each number always indicates the SAME PART in whatever list it appears, or for whatever machine.

The letters after some of the numbers indicate the style of finish only, as follows:

- A-Hardened, Polished, Nickel Plated and Buffed
- A.A-Buffed and Chromium Plated
- A.B-Hardened, Polished, Buffed and Chromium Plated
- A.C-Brown Baking Enamel Finish
- A.D-Gray Baking Enamel Finish
- A.E-Hardened, Bright Rumbled and Nickel Plated
- A.F-Hardened, Bright Rumbled, Nickel Plated, Bright Rumbled and Chromium Plated
- B-Polished, Nickel Plated and Buffed
- C-Hardened Only
- C.R-Hardened and Merlized
- D-Polished Only
- E-Soft, Not Polished
- F-Hardened and Polished
- F.J-Hardened, Polished and Nickel Plated
- G-Bright Rumbled and Nickel Plated
- H-Blued
- J-Nickel Plated Only
- K-Hardened and Nickel Plated
- L-Brass Plated
- M-Oxidized
- N-Japanned, Dull
- P-Japanned, Bright
- P.P-Wrinkle Finish
- R-Merlized
- S-Cadmium Plated
- T-Copper Plated
- T.A-Hardened, Polished, Copper and Nickel Plated and Buffed
- T.B-Copper and Nickel Plated and Polished
- T.J-Copper and Nickel Plated Only
- T.K-Hardened, Copper and Nickel Plated
- T.L-Copper and Brass Plated
- T.M-Copper Plated and Oxidized
- U-Zinc Plated
- V-Silver Plated
- W-Polished and Nickel Plated
- X-Black Oxide, for Iron and Steel
- X.C-Hardened and Black Oxide, for Iron or Steel
- Y-Black Nickel Plated Only
- Z-Chromium Plated
- Z.A-Hardened, Polished, Nickel Plated, Buffed and Chromium Plated
- Z.B-Polished, Nickel Plated, Buffed and Chromium Plated
- Z.C-Hardened and Chromium Plated
- Z.D-Polished and Chromium Plated
- Z.G-Bright Rumbled, Nickel Plated, Bright Rumbled and Chromium Plated
- Z.J-Nickel and Chromium Plated
- Z.T-Copper and Chromium Plated

These letters MUST BE USED when they appear in the list; and AFTER the number as in the list.

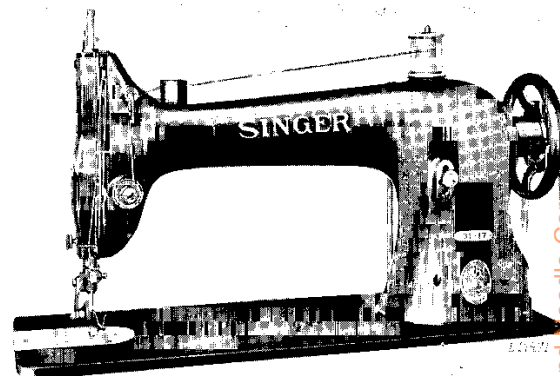
In this series:

- 1 to 1500, 50001 to 51500 and 140001 to 142000 are Screw Numbers
- 1501 to 1800 and 51501 to 51800 are Nut Numbers
- 1801 to 2000 and 51801 to 52000 are Roller Numbers
- 2001 to 50000 and 52001 to 140000 and 142001 to 190000 are Sewing Machine Parts, 190001 and upward are numbers of Electrical Parts.

The figures in the second column refer only to the plates, illustrating the parts, and are NOT TO BE USED in ordering.

Parts marked with an asterisk (*) are furnished only when repairs are made at factory.

LIST OF PARTS COMPLETE FOR



MACHINE No. 31-17

FOR LEATHER. DROP FEED. ROLLER PRESSER.
SPEED 2000 R. P. M.

No.	Plate	Name
*44178	-----	Arm with 15404 and two 15405.....
8582	22314	" Dowel Pin.....
12453	22314	" Oil Tube for intermediate bearing...
24131	22314	" " " with 52045, for oiling 12197
11119	22314	" " " " 52045, for oiling 12408
12454	22314	" " " " 132590, for oiling 12409
52045	22314	" " " Packing (felt) for 11119 and 24131.....
132590	22314	Arm Oil Tube Packing (felt) for 12454...
748E	22314	" Screw (back) (2).....
854E	22314	" " (front) (2).....
12427	22310	" Shaft.....
12357	22310	" " Flanged Bushing (back).....
448AL	22310	" " " " " Set Screw
144D	22310	" " Screw.....
12480	22312	" Side Cap.....
219J	22312	" " " Screw.....
12193	22314	" " Cover.....
51224J	22314	" " " Thumb Screw.....

from the library of: Diamond Needle Corp

No.	Plate	Name
52239	22314	Arm Spool Pin and Thread Eyelet.....
8879	22314	" " " Washer (cloth).....
12358	22310	Balance Wheel (power) light rim, 2 3/16 in. pulley, with two 448AL.....
4370	-----	Balance Wheel (stand) heavy rim, 2 3/4 in. pulley, with two 448AL.....
2135	22310	Balance Wheel (stand) heavy rim, 2 1/2 in. pulley, for 3022.....
2862	-----	Balance Wheel (stand) heavy rim, 3 in. pulley, for 3022.....
24297	22310	Balance Wheel Oil Cover.....
210J	22310	" " " " Screw.....
448AL	22310	" " " " Set Screw (2).....
*12360	-----	Bed.....
256J	22310	Clamp Stop Motion Clamp Screw.....
248A	22310	" " " " Stop Screw.....
2020	22310	" " " " Washer.....
4933	22310	" " " " Flanged Bushing with two 462AL.....
462AL	22310	Clamp Stop Motion Flanged Bushing Set Screw (2).....
3022	22310	Clamp Stop Motion complete, Nos. 248A, 256J, 2020 and 4933.....
20197	22310	Crank Connecting Rod with two 896AL....
896AL	22310	" " " " Cap Screw (2).....
908C	22310	" " " " Hinge Screw.....
1619E	22310	" " " " " " Nut....
20057	22311	Face Plate.....
12150	22311	" " Thread Guard (lower) with 12152
12152	22311	" " " " " Rivet....
139615	22311	" " " " " (upper) with 125424.....
125424	22311	Face Plate Thread Guard (upper) Rivet...
20058	-----	Face Plate complete, Nos. 12150, 20057 and 139615.....
190J	22311	Face Plate Screw.....
51224J	22311	" " " Thumb Screw.....
12368	22312	Feed Bar.....
313C	22312	" " " " Screw Center (2).....
56813	-----	" " " " " 313C with 1519J (2)
1519J	22312	" " " " " Nut (2).....
12197	22310	" Cam and Feed Lifting Eccentric with 446AL.....
446AL	22310	Feed Cam and Feed Lifting Eccentric Set Screw.....
52165	22310	Feed Connecting Link.....
375C	22310	" " " " Hinge Screw (2)...
1518J	22310	" " " " " Nut (2)

No.	Plate	Name
12436	22311	Feed Dog, 11 teeth (18 teeth to the inch) for 12438, 12452 and 20192.....
Note: No. 12436 is sent with this machine unless another Feed Dog is specified on order.		
20323	22330	Feed Dog, 8 teeth (12 teeth to the inch) for 12438, 12452 and 20192.....
20011	22330	Feed Dog, 11 teeth (18 teeth to the inch) for 20012 and 20293.....
208AL	22311	Feed Dog Screw (2).....
12123	22310	" Forked Connection.....
375C	22310	" " " " Hinge Screw.....
1518J	22310	" " " " " Nut..
12374	22312	" Lifting Rock Shaft.....
20001	22312	Feed Lifting Rock Shaft complete, Nos. 12374, 12376 and 16556.....
16556	22312	Feed Lifting Rock Shaft Crank (back) with 462AL.....
462AL	22312	Feed Lifting Rock Shaft Crank (back) Set Screw.....
12376	22312	Feed Lifting Rock Shaft Crank (front) with 157J and 1813.....
157J	22312	Feed Lifting Rock Shaft Crank (front) Clamping Screw.....
1813	22312	Feed Lifting Rock Shaft Crank (front) Roller and Stud.....
43976	22310	Feed Lifting Rock Shaft Crank Connecting Rod with two 966E.....
966E	22310	Feed Lifting Rock Shaft Crank Connecting Rod Cap Screw (2).....
375C	22310	Feed Lifting Rock Shaft Crank Connecting Rod Hinge Screw.....
1518J	22310	Feed Lifting Rock Shaft Crank Connecting Rod Hinge Screw Nut.....
307C	22312	Feed Lifting Rock Shaft Screw Center (2)
56814	-----	" " " " " " 307C with 1513J (2).....
1513J	22312	Feed Lifting Rock Shaft Screw Center Nut (2).....
3039	22310	Feed Regulator.....
1128E	22310	" " " Hinge Screw.....
818D	22310	" " " Thumb Screw.....
12379	22312	" Rock Shaft.....
20333	-----	Feed Rock Shaft complete, Nos. 12379 and 29633.....
29633	22312	Feed Rock Shaft Crank with 157J.....
157J	22312	" " " " Clamping Screw....
307C	22312	" " " " Screw Center (2).....
56814	-----	" " " " " 307C with 1513J (2).....
1513J	22312	Feed Rock Shaft Screw Center Nut (2)...

No.	Plate	Name
12448	22313	Needle Bar (hollow).....
43997	22313	" " Connecting Link with 794E and 12384.....
794E	22313	Needle Bar Connecting Link Adjusting Screw.....
12384	22313	Needle Bar Connecting Stud with 453AL and 1904.....
1904	22313	Needle Bar Connecting Stud Roller (roller only).....
453AL	22313	Needle Bar Connecting Stud Set Screw....
20188	22310	" " Crank with 858AL and 1065C...
1065C	22310	" " " Position Screw.....
858AL	22310	" " " Set Screw.....
936E	22313	" " Screw Bushing (2).....
44245	22313	" " Thread Guard.....
233D	22313	" " " Screw.....
2167	22313	" Clamp with 196F.....
196F	22313	" " Screw.....
44222	22311	Oil Cup.....
44223	-----	" " 44222 with 44005.....
44005	22311	" " Extension with 24075.....
24075	22311	" " " Post.....
44006	22311	" " Packing (felt).....
44224	22311	" " Thread Retainer.....
44225	22311	Oil Cup complete, Nos. 44006, 44223 and 44224.....
24105	22310	Oscillating Rock Shaft complete, Nos. 4784 and 12386.....
139602	-----	Oscillating Rock Shaft 24105 with 908C..
12388	22310	" " " Hinge Pin.....
448AL	22310	" " " " " Set Screw.....
4784	22310	Oscillating Rock Shaft Oil Pad.....
12389	22312	" Shaft.....
19496	-----	" " Crank for 19447.....
44134	-----	" " " " 44135.....
19447	-----	Oscillating Shaft Crank complete, Nos. 457AL, 1518E, 19449 and 19496.....
44135	22312	Oscillating Shaft Crank complete, Nos. 1518E, 19449, 44134 and two 453AL...
457AL	-----	Oscillating Shaft Crank Set Screw for 19447.....
453AL	22312	Oscillating Shaft Crank Set Screw for 44135 (2).....
19448	-----	Oscillating Shaft Crank Slide Block....
226J	22312	" " " " " Cap Screw.....
12424	22312	Oscillating Shaft Crank Slide Block Cap Screw Washer.....

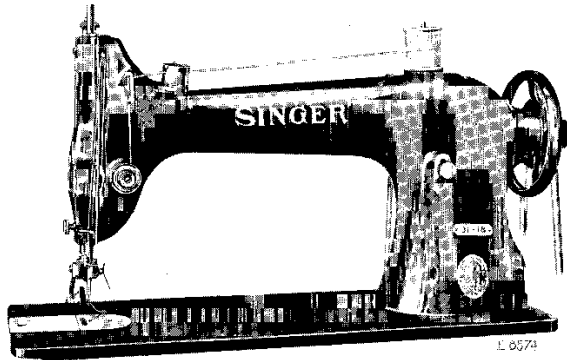
No.	Plate	Name
988C	22312	Oscillating Shaft Crank Slide Block Screw Stud.....
1518E	22312	Oscillating Shaft Crank Slide Block Screw Stud Nut.....
19449	22312	Oscillating Shaft Crank Slide Block complete, Nos. 226J, 988C, 12424 and 19448
19441	22313	Presser Bar (hollow).....
19464	-----	Presser Bar complete, Nos. 190J, 19441 to 19443 and 24445.....
12326	22313	Presser Bar Guide Bracket with 453AL....
453AL	22313	" " " " Set Screw.....
52016	22313	" " Lifter.....
689C	22313	" " " Screw.....
1520J	22313	" " " Nut.....
12327	22313	" " Lifting and Releasing Lever Bracket.....
11167	22313	Presser Bar Spring (light) .051 wire... Note: No. 11167 is sent with this machine unless another Spring is specified on order.
72139	-----	Presser Bar Spring (medium) .055 wire...
20023	-----	" " " (heavy) .063 wire...
11170	22313	" " " Washer.....
19165	22313	" Foot..... Note: No. 19165 is sent with this machine unless another Presser Foot is specified on order.
20114	22330	Presser Foot.....
20271	22330	" " for beading or top stitching.....
20272	22330	Presser Foot for shoe tips and gores...
20273	22330	" " " inside stays, for 3/64 in. to 1/4 in. gauge..... Note: When ordering No. 20273, state gauge required.
20274	22330	Presser Foot, for outside stays..... Note: When ordering No. 20274, send sample of material for which it is to be used.
190J	22313	Presser Foot Screw.....
688J	22313	Pressure Regulating Thumb Screw.....
1841	22313	Roller, 7/8 in. diam., 9/64 in. face, fine with 652D and 1528J.....
62677	22313	Roller Arm.....
19442	22313	" " Bracket.....
19443	22313	" " " Position Collar with 456C.....
456C	22313	Roller Arm Bracket Position Collar Set Screw.....
987E	22313	Roller Arm Bracket Screw Stud.....
19444	22313	" " " Spring.....
19445	22313	" " " " Pin.....
19446	22313	" " " " Stud.....
24445	-----	Roller Arm Bracket Spring Stud complete, Nos. 987E and 19444 to 19446.....

No.	Plate	Name
62722	22313	Roller Presser complete, 7/8 in. diam., 9/64 in. face, fine roller, Nos. 1841 and 62677.....
Note: No. 62722 is sent with this machine unless another Roller Presser is specified on order.		
190J	22313	Roller Presser Screw.....
652D	22313	" " Screw.....
1528J	22313	" " Nut.....
2996	22313	Shuttle Bobbin.....
15140	22313	" " Case Latch.....
2973	22313	" " " " Lever.....
2974	22313	" " " " Fulcrum Pin.....
2975	22313	Shuttle Bobbin Case Latch Spring.....
592E	22313	" " " " Stop Screw.....
15141	-----	Shuttle Bobbin Case Hinge, Nos. 2973, 2974 and 15140.....
2523	22313	Shuttle Bobbin Case Position Finger Rivet.....
24412	22314	Shuttle Bobbin Case Position Plate.....
391J	22314	" " " " " " Screw (2).....
62740	22313	Shuttle Bobbin Case complete, Nos. 591F, 592E, 2523, 2975, 15141 and 15278...
12393	22313	Shuttle Body.....
591F	22313	" " Tension Regulating Screw.....
15278	22313	" " Spring.....
19292	22313	Shuttle, 1 11/16 in. diam., Nos. 2996, 12393 and 62740.....
12444	22312	Shuttle Driver with two 1266AL.....
1266AL	22312	" " Set Screw (2).....
2531	22314	" " Race Back.....
2532	22314	" " " " Position Pin (2).....
2533	22314	" " " " Spring.....
907D	22314	" " " " Screw.....
24413	22314	" " Body.....
62502	-----	" " " 24413 with 24418 and two 1053E.....
62517	-----	Shuttle Race Body 62502 with two 2532...
62909	-----	" " " 62517 with two 391J (for Agents only).....
24418	22314	Shuttle Race Cap.....
1053E	22314	" " " " Screw (2).....
24419	22314	Shuttle Race complete, Nos. 907D, 2531, 2533, 24412, 62517 and two 391J.....
145D	22314	Shuttle Race Screw (2).....
12431	22311	" " Slide.....
12432	22311	Shuttle Race Slide complete, Nos. 4307, 12431 and two 725J.....
4307	22311	Shuttle Race Slide Spring.....

No.	Plate	Name
725J	22311	Shuttle Race Slide Spring Screw (2)....
2102	22311	Tension Disc (2).....
1560C	22311	" " Regulating Thumb Nut.....
32572	22311	" " Releasing Disc.....
43944	22311	" " " " Lever.....
12398	22311	" " " " Hinge Pin.....
12329	22311	" " " " Spring.....
32574	22311	" " " " Pin.....
50327C	22311	" " Screw Stud.....
44141	-----	" " " 50327C with 1560C....
43945	22311	" " Spring.....
12149	22311	" " Thread Guard.....
44118	22311	Tension complete, Nos. 7336, 32572, 32574, 43945, 43946, 44141 and two 2102...
52454	22311	Thread Retainer.....
624AL	22311	" " Set Screw.....
12404	22313	" " Take-up Crank.....
3094	22310	" " " " Wedge.....
690E	22310	" " " " " " Screw.....
12408	22313	" " " " Lever.....
775E	22313	" " " " Cap Screw.....
12166	22313	" " " " Hinge Pin.....
12409	22313	" " " " Link.....
11204	22313	" " " " " " Hinge Pin.....
435AL	22313	" " " " " " " " Set Screw.....
12410	-----	Thread Take-up Lever complete, Nos. 12166, 12408 and 12409.....
43990	-----	Thread Take-up complete, Nos. 775E, 11204, 12404, 12410 and 43997.....
43946	22311	Thread Take-up Spring.....
7336	22311	" " " " Regulator.....
448AL	22311	" " " " " " Set Screw
12438	22311	Throat Plate, large oblong needle hole, for 12436 and 20323 (2)
Note: Two No. 12438 are sent with this machine un- less other Throat Plates are specified on order.		
20192	22330	Throat Plate, small oblong needle hole, for 12436 and 20323.....
12452	22330	Throat Plate, small oblong needle hole, for 12436 and 20323, raised at needle hole, for top stitching.....
20012	22330	Throat Plate, large oblong needle hole, for 20011.....
20293	-----	Throat Plate, small oblong needle hole, for 20011.....
691F	22311	Throat Plate Screw (2).....
*15404	-----	Trade Mark.....
15405	-----	" " Rivet (2).....
139622	22341	Drip Pan, with four 1 in. wire nails, for power table.....

From the Library of the National Needle Corp.

LIST OF PARTS COMPLETE
FOR



MACHINE No. 31-18
FOR LEATHER. WHEEL FEED. ROLLER PRESSER.
SPEED 2000 R. P. M.

No.	Plate	Name
*12355	-----	Arm with 15404 and two 15405.....
8582	22328	" Dowel Pin.....
12453	22328	" Oil Tube for intermediate bearing...
24131	22328	" " " with 52045, for oiling 5570
11119	22328	" " " 52045, for oiling 12408
12454	22328	" " " 132590, for oiling 12409
52045	22328	" " " Packing (felt) for 11119 and 24131.....
132590	22328	Arm Oil Tube Packing (felt) for 12454...
748E	22328	" Screw (back) (2).....
854E	22328	" " (front) (2).....
12427	22324	" Shaft.....
12357	22324	" " Flanged Bushing (back).....
448AL	22324	" " " " Set Screw
144D	22324	" " Screw.....
12480	22326	" Side Cap.....
219J	22326	" " Screw.....
12193	22328	" " Cover.....
51224J	22328	" " " Thumb Screw.....

PARTS FOR MACHINE No. 31-18

No.	Plate	Name
52239	22328	Arm Spool Pin and Thread Eyelet.....
8879	22328	" " " Washer (cloth).....
12358	22324	Balance Wheel (power) light rim, 2 3/16 in. pulley, with two 448AL.....
4370	-----	Balance Wheel (stand) heavy rim, 2 3/4 in. pulley, with two 448AL.....
2135	22324	Balance Wheel (stand) heavy rim, 2 1/2 in. pulley, for 3022.....
2862	-----	Balance Wheel (stand) heavy rim, 3 in. pulley, for 3022.....
24297	22324	Balance Wheel Oil Cover.....
210J	22324	" " " " Screw.....
448AL	22324	" " " Set Screw (2).....
*12360	-----	Bed.....
256J	22324	Clamp Stop Motion Clamp Screw.....
248A	22324	" " " " Stop Screw.....
2020	22324	" " " " Washer.....
4933	22324	" " " Flanged Bushing with two 462AL.....
462AL	22324	Clamp Stop Motion Flanged Bushing Set Screw (2).....
3022	22324	Clamp Stop Motion complete, Nos. 248A, 256J, 2020 and 4933.....
20197	22324	Crank Connecting Rod with two 896AL....
896AL	22324	" " " Cap Screw (2)....
908C	22324	" " " Hinge Screw.....
1619E	22324	" " " " " Nut....
20057	22325	Face Plate.....
12150	22325	" " Thread Guard (lower) with 12152.....
12152	22325	Face Plate Thread Guard (lower) Rivet....
139615	22325	" " " " (upper) with 125424.....
125424	22325	Face Plate Thread Guard (upper) Rivet....
20058	-----	Face Plate complete, Nos. 12150, 20057 and 139615.....
190J	22325	Face Plate Screw.....
51224J	22325	" " Thumb Screw.....
52165	22324	Feed Connecting Link.....
375C	22324	" " " Hinge Screw (2)....
1518J	22324	" " " " " Nut (2)
5570	22324	" Eccentric with 446AL.....
446AL	22324	" " Set Screw.....
12429	22324	" Forked Connection.....
375C	22324	" " " Hinge Screw.....
1518J	22324	" " " " " Nut....
3039	22324	" Regulator.....
1128E	22324	" " Hinge Screw.....
818D	22324	" " Thumb Screw.....
12379	22326	" Rock Shaft.....

No.	Plate	Name
20333	-----	Feed Rock Shaft complete, Nos. 12379 and 29633.....
29633	22326	Feed Rock Shaft Crank with 157J.....
157J	22326	" " " " Clamping Screw....
307C	22326	" " " " Screw Center (2).....
56814	-----	" " " " " " 307C with 1513J (2).....
1513J	22326	Feed Rock Shaft Screw Center Nut (2)...
2258	22329	" Wheel for 20165 and 20262 to 20264.
Note: No. 2258 is sent with this machine unless another Feed Wheel is specified on order.		
15022	-----	Feed Wheel, coarse teeth, for 20165 and 20262 to 20264.....
2263	22329	Feed Wheel Driver with 2266.....
19266	22326	" " " " Link.....
324F	22326	" " " " " " Screw.....
313C	22326	" " " " " " Center (2)
56813	-----	" " " " " " 313C with 1519J (2).....
1519J	22326	Feed Wheel Driver Link Screw Center Nut (2).....
2265	22329	Feed Wheel Driver Spring.....
2266	22329	" " " " " " Hook.....
19267	22329	" " " " " " Frame with 453AL.....
19302	-----	Feed Wheel Frame complete, Nos. 151C, 183C, 183F, 240D, 2252, 2254 to 2256, 2258, 3114, 19267 and two each 119C and 1528J.....
119C	22329	Feed Wheel Frame Adjusting Screw (2)...
1528J	22329	" " " " " " Nut (2)
453AL	22329	" " " " " " Set Screw.....
20006	22326	" " " " " " Shaft.....
307C	22326	" " " " " " Screw Center (2)
56814	-----	" " " " " " 307C with 1513J (2).....
1513J	22326	Feed Wheel Frame Shaft Screw Center Nut (2).....
3114	22329	Feed Wheel Friction Plate (back).....
151C	22329	" " " " " " Screw..
2252	22329	" " " " " " (front).....
183C	22329	" " " " " " Screw.
2254	22329	" " " " " " Retaining Clutch.....
2255	22329	" " " " " " Cap.....
183F	22329	" " " " " " " " Screw..
2256	22329	" " " " " " Spring.....
240D	22329	" " " " " " " " Screw
12448	22327	Needle Bar (hollow).....
43997	22327	" " " " " " Connecting Link with 794E and 12384.....
794E	22327	Needle Bar Connecting Link Adjusting Screw.....

No.	Plate	Name
12384	22327	Needle Bar Connecting Stud with 453AL and 1904.....
1904	22327	Needle Bar Connecting Stud Roller (roller only).....
453AL	22327	Needle Bar Connecting Stud Set Screw....
20188	22324	" " " " Crank with 858AL and 1065C...
1065C	22324	" " " " " " Position Screw.....
858AL	22324	" " " " " " Set Screw.....
936E	22327	" " " " " " Screw Bushing (2).....
44245	22327	" " " " " " Thread Guard.....
233D	22327	" " " " " " " " Screw.....
2167	22327	" " " " " " Clamp with 196F.....
196F	22327	" " " " " " " " Screw.....
44222	22325	Oil Cup.....
44223	-----	" " " " 44222 with 44005.....
44005	22325	" " " " " " Extension with 24075.....
24075	22325	" " " " " " " " Post.....
44006	22325	" " " " " " " " Packing (felt).....
44224	22325	" " " " " " " " Thread Retainer.....
44225	22325	Oil Cup complete, Nos. 44006, 44223 and 44224.....
24105	22324	Oscillating Rock Shaft complete, Nos. 4784 and 12388.....
139602	-----	Oscillating Rock Shaft 24105 with 908C..
12388	22324	" " " " " " " " Hinge Pin.....
448AL	22324	" " " " " " " " " " Set Screw.....
4784	22324	Oscillating Rock Shaft Oil Pad.....
12389	22326	" " " " " " " " Shaft.....
19496	-----	" " " " " " " " Crank for 19447.....
44134	-----	" " " " " " " " " " 44135.....
19447	-----	Oscillating Shaft Crank complete, Nos. 457AL, 1518E, 19449 and 19496....
44135	22326	Oscillating Shaft Crank complete, Nos. 1518E, 19449, 44134 and two 453AL...
457AL	-----	Oscillating Shaft Crank Set Screw for 19447.....
453AL	22326	Oscillating Shaft Crank Set Screw for 44135 (2).....
19448	-----	Oscillating Shaft Crank Slide Block....
226J	22326	" " " " " " " " " " Cap Screw.....
12424	22326	Oscillating Shaft Crank Slide Block Cap Screw Washer.....
988C	22326	Oscillating Shaft Crank Slide Block Screw Stud.....
1518E	22326	Oscillating Shaft Crank Slide Block Screw Stud Nut.....
19449	22326	Oscillating Shaft Crank Slide Block complete, Nos. 226J, 988C, 12424 and 19448

PARTS FOR MACHINE No. 31-18

No.	Plate	Name
19441	22327	Presser Bar (hollow).....
19464	-----	Presser Bar complete, Nos. 190J, 19441 to 19443 and 24445.....
20059	22327	Presser Bar Guide Bracket with 453AL....
453AL	22327	" " " " Set Screw.....
52016	22327	" " Lifter.....
689C	22327	" " " Screw.....
1520J	22327	" " " " Nut.....
12327	22327	" " Lifting and Releasing Lever Bracket.....
11167	22327	Presser Bar Spring (light) .051 wire....
Note: No. 11167 is sent with this machine unless another Spring is specified on order.		
12139	-----	Presser Bar Spring (medium) .055 wire....
20023	-----	" " " (heavy) .063 wire....
11170	22327	" " " Washer.....
19165	22327	" Foot.....
Note: No. 19165 is sent with this machine unless another Presser Foot is specified on order.		
20114	22331	Presser Foot.....
190J	22327	" " Screw.....
688J	22327	Pressure Regulating Thumb Screw.....
1841	22327	Roller, 7/8 in. diam., 9/64 in. face, fine with 652D and 1528J.....
62677	22327	Roller Arm.....
19442	22327	" " Bracket.....
19443	22327	" " " Position Collar with 456C.....
456C	22327	Roller Arm Bracket Position Collar Set Screw.....
987E	22327	Roller Arm Bracket Screw Stud.....
19444	22327	" " " Spring.....
19445	22327	" " " " Pin.....
19446	22327	" " " " Stud.....
24445	-----	Roller Arm Bracket Spring Stud complete, Nos. 987E and 19444 to 19446.....
62722	22327	Roller Presser complete, 7/8 in. diam., 9/64 in. face, fine roller, Nos. 1841 and 62677.....
Note: No. 62722 is sent with this machine unless another Roller Presser is specified on order.		
190J	22327	Roller Presser Screw.....
652D	22327	" Screw.....
1528J	22327	" Nut.....
2996	22327	Shuttle Bobbin.....
15140	22327	" " Case Latch.....
2973	22327	" " " Lever.....
2974	22327	" " " " Fulcrum Pin.....
2975	22327	Shuttle Bobbin Case Latch Spring.....

PARTS FOR MACHINE No. 31-18

No.	Plate	Name
592E	22327	Shuttle Bobbin Case Latch Stop Screw....
15141	-----	Shuttle Bobbin Case Hinge, Nos. 2973, 2974 and 15140.....
2523	22327	Shuttle Bobbin Case Position Finger Rivet.....
24412	22328	Shuttle Bobbin Case Position Plate.....
391J	22328	" " " " Screw (2).....
62740	22327	Shuttle Bobbin Case complete, Nos. 591F, 592E, 2523, 2975, 15141 and 15278...
12393	22327	Shuttle Body.....
591F	22327	" Tension Regulating Screw.....
15278	22327	" " Spring.....
19292	22327	Shuttle, 1 11/16 in. diam., Nos. 2996, 12393 and 62740.....
12444	23226	Shuttle Driver with two 1266AL.....
1266AL	23226	" " Set Screw (2).....
2531	22328	" Race Back.....
2532	22328	" " " Position Pin (2)....
2533	22328	" " " Spring.....
907D	22328	" " " Screw.....
62749	22328	" Body.....
62750	-----	" " " 62749 with 5709 and two 662E.....
62751	-----	Shuttle Race Body 62750 with two 2532...
62752	-----	" " " 62750 with 24412 and two 391J.....
5709	22328	Shuttle Race Cap.....
662E	22328	" " " Screw (2).....
62753	22328	Shuttle Race complete, Nos. 907D, 2531, 2533, 62752 and two 2532.....
145D	22328	Shuttle Race Screw (2).....
12431	22325	" " Slide.....
24810	22325	Shuttle Race Slide complete, Nos. 4307, 12431 and two 1208J.....
4307	22325	Shuttle Race Slide Spring.....
1208J	22325	" " " " Screw (2)....
20060	22327	Slack Thread Regulator.....
225F	22327	" " " Adjusting Screw..
2102	22325	Tension Disc (2).....
1560C	22325	" Regulating Thumb Nut.....
32572	22325	" Releasing Disc.....
43944	22325	" " Lever.....
12398	22325	" " " Hinge Pin.....
12329	22325	" " " Spring.....
32574	22325	" " " Pin.....
50327C	22325	" Screw Stud.....
44141	-----	" " " 50327C with 1560C....
43945	22325	" Spring.....
44118	22325	Tension complete, Nos. 7336, 32572, 32574, 43945, 43946, 44141 and two 2102....

No.	Plate	Name
2135	22318	Balance Wheel (stand) heavy rim, 2 1/2 in. pulley, for 3022.....
2862	-----	Balance Wheel (stand) heavy rim, 3 in. pulley, for 3022.....
24355	22318	Balance Wheel Oil Cover.....
210J	22318	" " " " Screw.....
448AL	22318	" " " Set Screw (2).....
*20211	-----	Bed.....
256J	22318	Clamp Stop Motion Clamp Screw.....
248A	22318	" " " " Stop Screw.....
2020	22318	" " " " Washer.....
4933	22318	" " " Flanged Bushing with two 462AL.....
462AL	22318	Clamp Stop Motion Flanged Bushing Set Screw (2).....
3022	22318	Clamp Stop Motion complete, Nos. 248A, 256J, 2020 and 4933.....
20197	22318	Crank Connecting Rod with two 896AL.....
896AL	22318	" " " Cap Screw (2).....
908C	22318	" " " Hinge Screw.....
1619E	22318	" " " " Nut....
20212	22319	Face Plate.....
20213	22319	Face Plate complete, Nos. 233J, 448AL, 457AL, 2923, 20061 to 20063, 20212, 20214, 20228, 20231, 44157, 52454 and two 2102.....
195J	22319	Face Plate Screw (2).....
20214	22319	" " Thread Guard.....
233J	22319	" " " " Screw.....
52165	22318	Feed Connecting Link.....
375C	22318	" " " Hinge Screw (2)...
1518J	22318	" " " " Nut (2)
5570	22318	" Eccentric with 446AL.....
446AL	22318	" " Set Screw
12429	22318	" Forked Connection
375C	22318	" " " Hinge Screw
1518J	22318	" " " " Nut
3039	22318	" Regulator
1128E	22318	" " Hinge Screw
818D	22318	" " Thumb Screw
12379	22321	" Rock Shaft
20333	-----	Feed Rock Shaft complete, Nos. 12379 and 29633
29633	22321	Feed Rock Shaft Crank with 157J
157J	22321	" " " Clamping Screw
307C	22321	" " " Screw Center (2)
56814	-----	" " " " 307C with 1513J (2)
1513J	22321	Feed Rock Shaft Screw Center Nut (2)
2258	22320	" Wheel for 20165 and 20262 to 20264

Note: No. 2258 is sent with this machine unless another Feed Wheel is specified on order.

No.	Plate	Name
15022	-----	Feed Wheel, coarse teeth, for 20165 and 20262 to 20264.....
2263	22320	Feed Wheel Driver with 2266.....
19266	22321	" " " Link.....
324F	22321	" " " " Screw.....
313C	22321	" " " " " Center (2)
56813	-----	" " " " " 313C with 1519J (2).....
1519J	22321	Feed Wheel Driver Link Screw Center Nut (2).....
2265	22320	Feed Wheel Driver Spring.....
2266	22320	" " " " Hook.....
19267	22320	" " Frame with 453AL.....
19302	-----	Feed Wheel Frame complete, Nos. 151C, 183C, 183F, 240D, 2252, 2254 to 2256, 2258, 3114, 19267 and two each 119C and 1528J.....
119C	22320	Feed Wheel Frame Adjusting Screw (2)...
1528J	22320	" " " " " Nut (2)
453AL	22320	" " " Set Screw.....
20006	22321	" " " Shaft.....
307C	22321	" " " " Screw Center (2)
56814	-----	" " " " " 307C with 1513J (2).....
1513J	22321	Feed Wheel Frame Shaft Screw Center Nut (2).....
3114	22320	Feed Wheel Friction Plate (back).....
151C	22320	" " " " " Screw..
2252	22320	" " " " (front).....
183C	22320	" " " " " Screw.
2254	22320	" " Retaining Clutch.....
2255	22320	" " " " Cap.....
183F	22320	" " " " " Screw..
2256	22320	" " " " Spring.....
240D	22320	" " " " " Screw
12448	22322	Needle Bar (hollow).....
44011	22322	" " Connecting Link with 794E and 12384.....
794E	22322	Needle Bar Connecting Link Adjusting Screw.....
1090C	22322	Needle Bar Connecting Link Hinge Screw..
12384	22322	" " " Stud with 453AL and 1904.....
1904	22322	Needle Bar Connecting Stud Roller (roller only).....
453AL	22322	Needle Bar Connecting Stud Set Screw....
936E	22322	" " Screw Bushing (2).....
2166	22322	" " Thread Guard.....
233D	22322	" " " " Screw.....
2167	22322	" Clamp with 196F.....

No.	Plate	Name
196F	22322	Needle Clamp Screw.....
24021	22319	Oil Cup Extension.....
12486	22319	" " Packing (felt).....
44224	22319	" " Thread Retainer.....
20261	-----	Oil Cup complete, Nos. 12486 and 24021..
44227	22319	" " 20261 with 44224.....
213F	22319	" " Screw.....
24105	22318	Oscillating Rock Shaft complete, Nos. 4784 and 12388.....
139602	-----	Oscillating Rock Shaft 24105 with 908C..
12388	22318	" " " Hinge Pin.....
448AL	22318	" " " " " Set Screw.....
4784	22318	Oscillating Rock Shaft Oil Pad.....
21031	22321	" Shaft.....
20295	22321	" Crank.....
20296	22321	Oscillating Shaft Crank complete, Nos. 457AL, 1518E, 19449 and 20295.....
457AL	22321	Oscillating Shaft Crank Set Screw.....
19448	-----	" " " Slide Block....
226J	22321	" " " " " Cap Screw.....
12424	22321	Oscillating Shaft Crank Slide Block Cap Screw Washer.....
988C	22321	Oscillating Shaft Crank Slide Block Screw Stud.....
1518E	22321	Oscillating Shaft Crank Slide Block Screw Stud Nut.....
19449	22321	Oscillating Shaft Crank Slide Block com- plete, Nos. 226J, 988C, 12424 and 19448
19441	22322	Presser Bar (hollow).....
19464	-----	Presser Bar complete, Nos. 190J, 19441 to 19443 and 24445.....
20217	22322	Presser Bar Guide Bracket with 453AL....
453AL	22322	" " " " Set Screw....
52016	22322	" " Lifter.....
689C	22322	" " " Screw.....
1520J	22322	" " " Nut.....
20218	22322	" " Lifting Bracket.....
11167	22322	" " Spring (light), .051 wire....
Note: No. 11167 is sent with this machine unless another Spring is specified on order.		
12139	-----	Presser Bar Spring (medium) .055 wire...
20023	-----	" " " (heavy) .063 wire....
11170	22322	" " " Washer.....
19165	22322	" Foot.....
Note: No. 19165 is sent with this machine unless another Presser Foot is specified on order.		
20114	22331	Presser Foot.....
190J	22322	" " Screw.....

No.	Plate	Name
688J	22322	Pressure Regulating Thumb Screw.....
1841	22322	Roller, 7/8 in. diam., 9/64 in. face, fine with 652D and 1528J.....
62677	22322	Roller Arm.....
19442	22322	" " Bracket.....
19443	22322	" " " Position Collar with 456C.....
456C	22322	Roller Arm Bracket Position Collar Set Screw.....
987E	22322	Roller Arm Bracket Screw Stud.....
19444	22322	" " " Spring.....
19445	22322	" " " " Pin.....
19446	22322	" " " " Stud.....
24445	-----	Roller Arm Bracket Spring Stud complete, Nos. 987E and 19444 to 19446.....
62722	22322	Roller Presser complete, 7/8 in. diam., 9/64 in. face, fine roller, Nos. 1841 and 62677.....
Note: No. 62722 is sent with this machine unless another Roller Presser is specified on order.		
190J	22322	Roller Presser Screw.....
652D	22322	" Screw.....
1528J	22322	" Nut.....
24051	22322	Shuttle Bobbin.....
20499	22322	" " Retaining Spring.....
*20297	-----	" Body with 1142E, 20499, 20500 and 44213.....
20365	22322	Shuttle Cover.....
*44000	-----	" " 20365 with 112E, 466E, 2078, 2080, 2086 and 2090.....
2076	22322	Shuttle Cover Hinge Pin.....
2078	22322	" Delivery Eye Thread Guard.....
2080	22322	" " " " Rivet.
20500	22322	" Main Spring.....
1142E	22322	" " " Screw.....
44213	22322	" " " Steady Pin.....
466E	22322	" Tension Regulating Screw.....
2086	22322	" " Spring.....
2090	22322	" " " Plate.....
112E	22322	" " " Screw.....
20298	22322	Shuttle complete, Nos. 2076, 20297, 24051 and 44000.....
20299	22321	Shuttle Driver.....
2049	22321	" " Pin.....
20224	22320	" Race Back.....
190C	22320	" " " Screw (2).....
20305	22320	" " " Body.....
20306	22320	Shuttle Race complete, Nos. 20224, 20305 and two 190C.....
158D	22320	Shuttle Race Screw (2).....

Part No. 190J is a Dia. 1.000" Nut.

PARTS FOR MACHINE No. 31-29

No.	Plate	Name
12431	22319	Shuttle Race Slide.....
24810	22319	Shuttle Race Slide complete, Nos. 4307, 12431 and two 1208J.....
4307	22319	Shuttle Race Slide Spring.....
1208J	22319	" " " " Screw (2)....
2102	22319	Tension Disc (2).....
1560C	22319	" Regulating Thumb Nut.....
20228	22319	" Releaser.....
1018C	22319	" Screw Stud.....
44157	-----	" " " 1018C with 1560C....
20061	22319	" " " Bushing.....
448AL	22319	" " " " Set Screw....
20062	22319	" " " Flange.....
20063	22319	" " " Collar.....
2923	22319	" Spring.....
52454	22319	Thread Retainer.....
457AL	22319	" " Set Screw.....
20300	22318	" Take-up Cam with 858AL and 1500C.
1500C	22318	" " " Position Screw.....
858AL	22318	" " " Set Screw.....
20230	22321	" " Lever with 1547D and 1915
1091C	22321	" " " Hinge Screw.....
20324	22321	" " " " Bushing
2653	22321	" " " " " "
		Pin.....
1520E	22321	Thread Take-up Lever Hinge Screw Nut....
1915	22321	" " " Roller and Screw Stud
1547D	22321	" " " " " " "
		Nut.....
20231	22319	Thread Take-up Spring.....
20232	22322	" " " Regulator.....
227D	22322	" " " " Adjusting
		Screw.....
8068	22322	Thread Take-up Spring Regulator Adjust- ing Screw Washer.....
20262	22331	Throat Plate, large oblong needle hole, for 2258 and 15022.....
20263	22320	Throat Plate, medium oblong needle hole, for 2258 and 15022.....
20264	22320	Throat Plate, small oblong needle hole, for 2258 and 15022.....
Note: Nos. 20263 and 20264 are sent with this machine unless other Throat Plates are specified on order.		
20165	22331	Throat Plate, small oblong needle hole, for 2258 and 15022, raised at needle hole for top stitching.....
691F	22320	Throat Plate Screw (2).....
*15404	-----	Trade Mark.....
15405	-----	" " Rivet (2).....

PARTS FOR MACHINE No. 31-29

No.	Plate	Name
20007	-----	Wheel Feed complete, Nos. 324F, 2263, 2265, 5570, 19266, 19302, 20006, 20263, 20264 and 24810.....
20291	22342	Drip Pan with four 1 in. wire nails, for power table.....

SINGER Needles should be used
in SINGER Machines.
These Needles and their Containers
are marked with the
Company's Trade Mark "SIMANCO.*" 1

Needles in Containers marked
"FOR SINGER MACHINES"
are NOT **SINGER** made needles. 2

ATTACHMENTS AND ACCESSORIES

No.	Plate	Name
51075E	22308	Machine Hinge Bolt with 51581E.....
51581E	22308	" " " Nut.....
6055	22308	" " " Washer.....
12361	22308	" " Connection.....
44139	22308	" " Plate.....
44140	22308	Machine Hinge complete, Nos. 12361,44139 and merlized wood screw 1 1/4 in. No. 14.....
44180	-----	Machine Hinge complete, Nos. 6055,12361, 44139 and 51075E.....
20022	22308	Machine Rest (felt).....
28084	22308	" " Pin.....
41400	22308	" " " (wood) 3 1/8 in. long..
120342	22308	Oiler (copper plated) with 120343.....
120343	22308	" Spout, 3 1/2 in. long.....
26026	22308	Screw Driver (machine).....
26485	22308	" " (shuttle tension).....
8909	22308	Wrench for 1513 and 1518.....
4822	22308	" " 1521, 1528 and 1547.....
8908	22308	" " 1519 and 1520.....
19221	22308	" " 936 and 1619.....
22003	-----	" " 1550.....
20461	22308	" " 1620.....

BELT GUARDS

BELT GUARD

No.	Plate	Name
41929	22343	Belt Guard.....
8418	22343	" " Button.....
8419	22343	" " " Washer (leather).....
8420	-----	" " " 8418 with 8419 and wood screw 1 1/4 in. No.9 R.H.B.....
41930	22343	Belt Guard Hinge.....
41931	22343	Belt Guard complete, Nos. 8420,41929,two 41930 and four wood screws 3/4 in. No. 9.....

BELT GUARD FOR BENCH STAND

No.	Plate	Name
126356	22332	Belt Guard.....
126363	22332	" " Bracket.....
126364	22332	" " Extension.....
162D	22332	" " " Screw.....
9331	22332	" " " Washer.....
1480D	22332	" " Retaining Screw.....
50551J	22332	" " Set Screw.....
126365	22332	Belt Guard (adjustable) complete, Nos. 162D, 1480D, 9331, 50551J, 126356, 126363, 126364 and two wood screws 1 in. No. 10.....

BOBBIN WINDERS BOBBIN WINDER

(SWINGING AUTOMATIC, RIGHT HAND)
FOR 2996 FOR STAND
FOR NOS. 31-17 AND 31-18 MACHINES

No.	Plate	Name
27540	22333	Base.....
15072	22333	Bobbin Position Pin.....
27302	22333	Frame.....
50356D	22333	" Hinge Screw.....
1620J	22333	" " " Nut.....
27303	-----	" Spring.....
27541	22333	Pulley.....
27538	22333	Spindle with 15072 and 41828.....
41828	22333	" Collar Pin.....
27306	22333	Spool Pin.....
27307	22333	" Stand.....
27308	22333	Spool Stand complete, Nos. 418E, 1562J, 2106,10141,11241,27306,27307 and two each 2455 and wood screws 1 in. No. 10.....
11241	22333	Spool Washer (cloth).....
27312	22333	Stop Latch.....
35D	22333	" " Hinge Screw.....
2455	22333	Tension Disc (2).....

BOBBIN WINDER

No.	Plate	Name
1562J	22333	Tension Regulating Thumb Nut.....
418E	22333	" Screw Stud.....
10141	22333	" Spring.....
2106	22333	" Thread Guide.....
27647	22333	Bobbin Winder, Nos. 35D, 1620J, 27302, 27303, 27312, 27538, 27540, 27541, 50356D and two wood screws 1 in. No. 7.....
27544	22333	Bobbin Winder (swinging automatic, right hand) complete, Nos. 27308 and 27647.

BOBBIN WINDER

(SWINGING AUTOMATIC, RIGHT HAND)

FOR 24051 FOR STAND

FOR NO. 31-29 MACHINE

NOTE: THIS BOBBIN WINDER IS THE SAME AS NO. 27544

WITH THE FOLLOWING EXCEPTIONS:

No.	Plate	Name
27699	22334	Stop Latch, in place of 27312.....
41548	22334	Bobbin Winder, Nos. 35D, 1620J, 27302, 27303, 27538, 27540, 27541, 27699, 50356D and two wood screws 1 in. No. 7, in place of 27647.....
41549	22334	Bobbin Winder (swinging automatic, right hand) complete, Nos. 27308 and 41548

BOBBIN WINDER

FOR 4370

No.	Plate	Name
15072	22335	Bobbin Position Pin.....
12168	22335	Bracket.....
692D	22335	" Screw.....
12169	22335	Frame.....
12171	22335	Frame complete, Nos. 333D, 5960, 5961, 5963, 12169 and 15077.....
32D	22335	Frame Hinge Screw.....
5960	22335	Friction Wheel (leather).....
5961	22335	" " Washer.....
333D	22335	" " Screw.....
15077	22335	Spindle with 15072.....
5963	22335	" Flange.....

BOBBIN WINDER

No.	Plate	Name
12170	22335	Spring.....
180F	22335	" Screw.....
12172	22335	Bobbin Winder complete, Nos. 32D, 180F, 12168, 12170 and 12171.....

BOBBIN WINDER

FOR 2135 AND 2862

No.	Plate	Name
12201	22335	Frame complete, Nos. 333D, 5960, 5961, 5963, 12169 and 15077, in place of 12171...
12202	22335	Bobbin Winder complete, Nos. 32D, 180F, 12168, 12170 and 12201.....

BOBBIN WINDER

FOR 12358

No.	Plate	Name
20307	22335	Frame, in place of 12169.....
20308	22335	Frame complete, Nos. 333D, 5960, 5961, 5963, 15077 and 20307, in place of 12171...
20309	22335	Bobbin Winder complete, Nos. 32D, 180F, 12168, 12170 and 20308.....

BOBBIN WINDER (Universal)

No.	Plate	Name
259428	23217	Brake (leather).....
259429	23217	" Clamp.....
200113F	23217	" " Screw.....
225453	23217	Frame with 202277 and 225438.....
225454	23217	" Hinge Pin.....
202277	23217	" Oil Packing (wick).....
225438	23217	" " Well Cap.....
225455	23217	" Spring.....
225456	23217	" " Plunger.....
225368	23217	Pulley with 200380C.....
200380C	23217	" Set Screw.....

BOBBIN WINDER (Universal)

No.	Plate	Name
225381	23217	Spindle.....
225444	23217	Stop Latch.....
200056E	23217	" " Screw.....
225458	23217	" " Thumb Lever.....
225459	23217	" " " " Hinge Stud.....
225459	23217	" " " " Joint Stud.....
202478	23217	" " Trip Lever.....
200299H	23217	" " " " Hinge Screw.....
225461	23217	Tension Bracket with 201499B.....
200082D	23217	" " Screw.....
228026	23217	" " " " Washer.....
2102	23217	" Disc (2).....
13710	23217	" Spring.....
201499B	23217	" Stud.....
201572B	23217	" " Thumb Nut.....
225462	23217	Bobbin Winder Tension Bracket complete, Nos. 13710, 201572B, 225461 and two 2102
259430	23217	Bobbin Winder and Tension Bracket Base
259431	23217	Bobbin Winder (universal) complete, Nos. 200056E, 200082D, 200113F, 200299H, 202478, 225368, 225381, 225444, 225453 to 225456, 225458, 225462, 228026, 259428 to 259430, two each 225459 and wood screws 3/4 in. No.12 R.H.B.

EDGE GUIDES

EDGE GUIDE (Roller)

No.	Plate	Name
26803	22336	Edge Guide Bed with 2362.....
220J	22336	" " Leveling Screw (4).....
121146	22336	" " Slide with 26809, 51916 and two 12152.....
26805	22336	Edge Guide Slide Cap (left).....
207F	22336	" " " " " Screw.....
2362	22336	" " " " " Steady Pin..
26806	22336	" " " " " (right).....
207F	22336	" " " " " Screw (large)
223J	22336	" " " " " (small)
26807	22336	" " " Lever.....
94D	22336	" " " " Hinge Screw.....
51916	22336	" " " Roller and Stud.....
26808	22336	" " " Spring.....
26809	22336	" " " Cover.....
12152	22336	" " " " Rivet (2)
26810	22336	Edge Guide (roller) complete, Nos. 94D, 223J, 26803, 26805 to 26808, 121146, two 207F and four 220J.....
190J	22336	Edge Guide Screw.....

EDGE GUIDE (Roller)

FOR GLOVE WORK

No.	Plate	Name
36185	22336	Edge Guide Arm with 1988.....
36186	22336	" " " Friction Washer.....
1425D	22336	" " " Hinge Screw.....
1988	22336	" " " Roller and Screw Stud....
36187	22336	" " Bed with four 465F.....
465F	22336	" " Leveling Screw (4).....
36188	22336	Edge Guide (roller) complete, Nos. 1425D and 36185 to 36187.....

FELLER (Foot)

No.	Plate	Name
26403	22336	Feller (foot).....

FINGER GUARDS

No.	Plate	Name
36818	22336	Finger Guard.....
36819	22336	" " Friction Washer.....
50316J	22336	" " Hinge Screw.....
36820	22336	" " Holder with 196J.....
196J	22336	" " " Clamping Screw.....
36821	22336	Finger Guard (metal) complete, Nos. 36818 to 36820 and 50316J.....
120496	22336	Finger Guard.....
120497	22336	" " Holder with 50302J.....
50302J	22336	" " " Set Screw.....
236J	22336	" " Screw.....
120498	22336	Finger Guard (metal) complete, Nos. 236J, 120496 and 120497.....
120857	22336	Finger Guard.....
120858	22336	" " Holder with 50302J.....
50302J	22336	" " " Set Screw.....
236J	22336	" " Screw (2).....
120860	22336	Finger Guard (wire) complete, Nos. 120857, 120858 and two 236J.....

FOOT LIFTER PARTS

No.	Plate	Name
5596	22312	Bell Crank.....
56848	-----	" " 5596 with 5599 and 5601.....
5599	22312	" " Bracket.....
178E	22312	" " " Screw (2).....
5601	22312	" " Hinge Pin.....
5735	22312	" " Spring.....
5598	22312	Bell Crank complete, Nos. 5735 and 56848
5670	22909	Chain, length 26 in. to 35 in., with 56864 and 56865.....
Note: When ordering No. 5670, state length required.		
4879	22909	Chain Connecting Link.....
56864	22909	" Hook (large).....
56865	22909	" " (small).....
12237	22312	Lifting Lever with 448AL, for 20008.....
20233	22321	" " " 448AL, for 20289.....
12415	22312	" " Connecting Rod.....
12416	22312	" " " " " Joint.....
76D	22312	" " " " " Hinge Screw.....
1521J	22312	Lifting Lever Connecting Rod Lock Nut...
802D	22312	" " Hinge Screw.....
12241	22313	" " Link for 20008.....
20234	22322	" " " " 20289.....
766D	22313	" " " Hinge Screw.....
12240	22312	" " Pin.....
448AL	22312	" " " Set Screw.....
2763	22909	Rock Shaft.....
12242	22909	" " Hanger with two wood screws 1 in. No. 10 F.H. (2).....
6337	22909	Rock Shaft Lifting Bracket with two 356C (2).....
12243	22909	Rock Shaft Lifting Bracket Hook for 5598
7125	22909	" " " " " " 5670
356C	22909	" " " " " Set Screw (2).....
356C	22909	Rock Shaft Lifting Bracket Set Screw (2)
2770	22909	" " Stop Dog with 140219C.....
140219C	22909	" " " " " Set Screw.....
4880	22909	Rock Shaft complete, Nos. 2763, 2770, 7125, 12243 and two each 6337 and 12242.....
4881	22909	Treadle.....
4882	22909	" Shaft.....
4883	22909	" Spring.....

FOOT LIFTER PARTS

No.	Plate	Name
4884	22909	Treadle Stand.....
4885	22909	Treadle complete, Nos. 4879, 4881 to 4884 and two wood screws 1 in. No. 16....
20008	-----	Foot Lifter complete for 31-17 and 31-18 Machines, Nos. 76D, 766D, 802D, 1521J, 4880, 4885, 5598, 5670, 12237, 12240, 12241, 12415, 12416 and two 178E....
20289	-----	Foot Lifter complete for 31-29 Machine, Nos. 76D, 766D, 802D, 1521J, 4880, 4885, 5598, 5670, 12240, 12415, 12416, 20233, 20234 and two 178E.....

GUIDES

No.	Plate	Name
25866	22337	Guide, for flush throat plate.....
25874	22337	" " raised throat plate.....
25873	22337	" (combination).....
28658	22337	" (roller) with 1852.....
1852	22337	" Roller for 28658.....
284D	22337	" Thumb Screw (long).....
732D	22337	" " " (short).....
3146	22337	" " " Washer for 25873....

GUIDE (Adjustable) HINGED

No.	Plate	Name
28971	22337	Guide.....
28972	22337	" Holder.....
35610	22337	" " Friction Washer.....
940W	22337	" " Hinge Screw.....
120427	22337	" " Shank.....
51224W	22337	" Thumb Screw.....
7071	22337	" " Washer.....
120428	22337	Guide (adjustable, hinged) complete, Nos. 940W, 7071, 28971, 28972, 35610, 51224W and 120427.....

From the library of Daimler-Benz Corp

KNEE LIFTER PARTS

No.	Plate	Name
5596	22312	Bell Crank.....
56848	-----	" " 5596 with 5599 and 5601.....
5599	22312	" " Bracket.....
178E	22312	" " " Screw (2).....
5601	22312	" " Hinge Pin.....
5735	22312	" " Spring.....
5598	22312	Bell Crank complete, Nos. 5735 and 56848
12237	22312	Lifting Lever with 448AL, for 139626 and 139627.....
20233	22321	Lifting Lever with 448AL, for 139635 and 139636.....
12415	22312	Lifting Lever Connecting Rod.....
12416	22312	" " " " " Joint.....
76D	22312	" " " " " Hinge Screw.....
1521J	22312	Lifting Lever Connecting Rod Lock Nut...
802D	22312	" " Hinge Screw.....
12241	22313	" " Link for 139626 and 139627
20234	22322	" " " " 139635 and 139636
766D	22313	" " Hinge Screw.....
12240	22312	" " Pin.....
448AL	22312	" " " Set Screw.....
2763	22338	Rock Shaft.....
139633	-----	" " 2763 with 2770, 6337 and 139623
127312	22338	" " Hanger (back) with two wood screws 1 in. No. 10 F.H.....
12242	22338	Rock Shaft Hanger (front) with two wood screws 1 in. No. 10 F.H.....
7539	22338	Rock Shaft Hanger with two wood screws 1 in. No. 10 F.H., for 139625 (2)....
2765	22338	Rock Shaft Knee Arm.....
2766	22338	" " " " Hub with 356C.....
356C	22338	" " " " Set Screw.....
2768	-----	Rock Shaft Knee Arm complete, Nos. 2765 to 2767.....
2767	22338	Rock Shaft Knee Plate with 356C.....
356C	22338	" " " " Set Screw.....
6337	22338	" " Lifting Bracket with two 356C
139623	22338	" " " " Hook.....
356C	22338	" " " " Set Screw
356C	22338	" " " " Set Screw....
2770	22338	" " Stop Dog with 140219C.....
140219C	22338	" " " " Set Screw.....
139624	22338	Rock Shaft complete, Nos. 2768, 12242, 127312 and 139633.....

KNEE LIFTER PARTS

No.	Plate	Name
139625	22338	Rock Shaft complete, Nos. 2768, 139633 and two 7539.....
139626	-----	Knee Lifter complete (power table) for 31-17 and 31-18 Machines, Nos. 76D, 766D, 802D, 1521J, 5598, 12237, 12240, 12241, 12415, 12416, 139624 and two 178E.....
139627	-----	Knee Lifter complete (individual motor and foot power stands) for 31-17 and 31-18 Machines, Nos. 76D, 766D, 802D, 1521J, 5598, 12237, 12240, 12241, 12415, 12416, 139625 and two 178E.....
139635	-----	Knee Lifter complete (power table) for 31-29 Machine, Nos. 76D, 766D, 802D, 1521J, 5598, 12240, 12415, 12416, 20233, 20234, 139624 and two 178E.....
139636	-----	Knee Lifter complete (individual motor and foot power stands) for 31-29 Ma- chine, Nos. 76D, 766D, 802D, 1521J, 5598, 12240, 12415, 12416, 20233, 20234, 139625 and two 178E.....

MACHINE BASE

No.	Plate	Name
19219	22909	Bed Frame Cushion (leather) (4).....
158C	22909	" " " Screw (8).....
19220	22909	" " " Spring (4).....
19226	22909	" " Hinge Connection (2).....
19398	-----	" " " 19226 with 211E and 19397 (2).....
19397	22909	Bed Frame Hinge Connection Cap (2).....
211E	22909	" " " " Screw (2)
16555	22909	" " " Plate (2).....
14010	22909	" " " Rivet (6).....
20067	22909	Bed Frame with two each 16555, 19398, four each 19219, 19220, six each 14010, wood screws 1 1/4 in. No. 12 and eight 158C.....

From the library of: Diamond

PLAIN ROLLER PRESSERS

Diameter of Roller	9/16"	9/16"	7/8"	7/8"	7/8"	7/8"	1 1/4"	1 1/4"	1 1/4"
Face of Roller	3/32"	9/64"	9/64"	9/64"	3/16"	9/64"	9/64"	9/64"	3/16"
Knurl of Roller	Coarse	Fine	Coarse	Fine	Coarse	Fine	Coarse	Fine	Coarse
Roller	51801	51802	1867	1868	1841	1895	1911	1912	1897
Roller Arm	24903	24903	24903	62677	62677	62677	16573	16573	24990
Roller Screw	368D	368D	368D	652D	652D	652D	366D	366D	366D
Roller Screw Nut	1550H	1550H	1550H	1528J	1528J	1528J	1528J	1528J	1528J
Roller Presser complete	24904	24905	62718	62721	62722	*62680	16581	16582	62627

* Note: No. 62680 has roller set 1/8 in. beyond center of needle

BALL BEARING ROLLER PRESSERS

Diameter of Roller	7/8"	7/8"	7/8"	7/8"	1 1/4"
Face of Roller	9/64"	1/8"	1/8"	1/8"	7/32"
Knurl of Roller	Coarse	Coarse	Fine	Coarse	Coarse
Roller complete	51902	51900	51901	51863	51863
Roller Arm	62857	62855	62855	62747	62747
Roller Ball	206417	206417	206417	16232	16232
Roller Ball Retaining Nut	201699C	201699C	201699C	1766C	1766C
Roller Screw	350104C	350104C	350104C	50553C	50553C
Roller Nut	1528J	1528J	1528J	1528J	1528J
Roller Presser complete	62868	*62860	*62861	62749	62749

* Note: Nos. 62860 and 62861 have roller set 1/8 in. beyond center of needle
 From the library of: **Diamond Needle Corp**

BALL BEARING ROLLER PRESSERS WITH RATCHET BRAKE

Diameter of Roller	7/8"		7/8"		7/8"		1 1/4"		1 1/4"	
	9/64"	Coarse	3/32"	Fine	1/8"	Coarse	1/8"	Fine	7/32"	Coarse
Face of Roller										
Knurl of Roller										
Roller complete	51890	51890	51912	51909	51907	51894	51894	51892	51894	51892
Roller Arm	62840	62840	62840	62840	62840	44274	62840	62843	44274	62843
Roller Ball	206417	206417	206417	206417	206417	16232	206417	16232	16232	16232
Roller Ball Retaining Nut	201699C	201699C	201699C	201699C	201699C	1766C	201699C	1766C	1766C	1766C
Roller Ratchet Spring Stop	62850	62850	62850	62850	62850	62853	62850	62853	62853	62853
Roller Ratchet Spring Stop Bracket	62851	62851	62851	62877	62851	62851	62851	62851	62851	62851
Roller Ratchet Spring Stop Bracket complete	62852	62852	62852	62878	62852	62854	62852	62854	62854	62854
Roller Ratchet Spring Stop Bracket Screw	230F	230F	230F	230F	230F	230F	230F	230F	230F	230F
Roller Ratchet Spring Stop Screw	665J	665J	665J	665J	665J	665J	665J	665J	665J	665J
Roller Sorew	350104C	350104C	350104C	350104C	350104C	50553C	350104C	50553C	50553C	50553C
Roller Screw Nut	1528J	1528J	1528J	1528J	1528J	1528J	1528J	1528J	1528J	1528J
Roller Presser complete	44276	62880	62880	62891	62871	44279	62842	62842	44279	62849

THREAD UNWINDERS

THREAD UNWINDER

FOR ONE SPOOL OR ONE LARGE CONE OF THREAD

No.	Plate	Name
225259	22893	Spool Rest with 201018C.....
150203	22893	" " Cushion (felt).....
225388	22893	" " Rod.....
200383C	22893	" " " Set Screw.....
201018C	22893	" " Set Screw.....
202490	22893	" Stand with 200383C.....
225391	22893	Thread Guide.....
201696J	22893	" " Lock Nut.....
225326	22893	" " Position Cup.....
225324	22893	" " Rod with 208E and 225322...
208E	22893	" " " Screw.....
225322	22893	" " " Washer.....
225260	22893	Thread Unwinder complete, Nos. 150203, 201696J, 202490, 225259, 225324, 225326, 225388, 225391 and three wood screws 7/8 in. No. 12 F.H.....
27739	22893	Thread Cone (wood) for large cones.....
225390	22893	" " Holder for inverted cones...

Note: Nos. 27739 and 225390 are used with, but not included in 225260.

THREAD UNWINDER

FOR TWO SPOOL OR TWO LARGE CONES OF THREAD

No.	Plate	Name
225257	22248	Spool Rest with 201018C.....
150203	22248	" " Cushion (felt) (2).....
225388	22248	" " Rod.....
200383C	22248	" " " Set Screw.....
201018C	22248	" " Set Screw.....
202490	22248	" Stand with 200383C.....
225391	22248	Thread Guide (2).....
201696J	22248	" " Lock Nut.....
225326	22248	" " Position Cup.....
225324	22248	" " Rod with 208E and 225322...
208E	22248	" " " Screw.....
225322	22248	" " " Washer.....

No.	Plate	Name
225258	22248	Thread Unwinder complete, Nos. 201696J, 202490, 225257, 225324, 225326, 225368, two each 150203, 225391 and three wood screws 7/8 in. No. 12 F.H.....
27739	22248	Thread Cone (wood) for large cones.....
225390	22248	" " Holder, for inverted cones..

Note: Nos. 27739 and 225390 are used with, but not included in 225258.

SINGER Needles should be used in **SINGER** Machines. These Needles and their Containers are marked with the Company's Trade Mark "SIMANCO.**" 1

Needles in Containers marked "FOR **SINGER** MACHINES" are NOT **SINGER** made needles. 2

NUMERICAL LIST OF PARTS

No.	Plate	Name
32D	22335	Bobbin Winder Frame Hinge Screw for 12172, 12202 and 20309.....
35D	22333	Bobbin Winder Stop Latch Hinge Screw for 27647 and 41548.....
76D	22312	Lifting Lever Connecting Rod Joint Hinge Screw for 20008, 20289, 139626, 139627, 139635 and 139636.....
94D	22336	Edge Guide Slide Lever Hinge Screw for 26810.....
112E	22322	Shuttle Tension Spring Screw for 44000..
119C	22320	Feed Wheel Frame Adjusting Screw for 19302 (2).....
144D	22310	Arm Shaft Screw.....
145D	22314	Shuttle Race Screw for 31-17 and 31-18 Machines (2).....
151C	22320	Feed Wheel Friction Plate (back) Screw for 19302.....
157J	22312	Feed Lifting Rock Shaft Crank (front) Clamping Screw for 12376.....
157J	22312	Feed Rock Shaft Crank Clamping Screw for 29633.....
158C	22909	Bed Frame Cushion Screw for 20067 (8)..
158D	22320	Shuttle Race Screw for 31-29 Machine (2)
162D	22332	Belt Guard Extension Screw for 126365..
178E	22312	Bell Crank Bracket Screw for 20008, 20289, 139626, 139627, 139635 and 139636 (2).....
180F	22335	Bobbin Winder Spring Screw for 12172, 12202 and 20309.....
183C	22320	Feed Wheel Friction Plate (front) Screw for 19302.....
183F	22320	Feed Wheel Retaining Clutch Cap Screw for 19302.....
190J	22336	Edge Guide Screw for 26810.....
190J	22311	Face Plate Screw for 31-17 and 31-18 Machines.....
190J	22313	Presser Foot Screw.....
190J	22313	Roller Presser Screw for 19464.....
190C	22320	Shuttle Race Back Screw for 20306 (2)..
195J	22319	Face Plate Screw for 31-29 Machine (2).
196J	22336	Finger Guard Holder Clamping Screw for 36820.....
196F	22313	Needle Clamp Screw for 2167.....
207F	22336	Edge Guide Slide Cap (left) Screw for 26810.....
207F	22336	Edge Guide Slide Cap (right) Screw (large) for 26810.....

NUMERICAL LIST OF PARTS

No.	Plate	Name
208AL	22311	Feed Dog Screw for 31-17 Machine (2)...
208E	22893	Thread Unwinder Thread Guide Rod Screw for 225324.....
210J	22310	Balance Wheel Oil Cover Screw.....
211E	22909	Bed Frame Hinge Connection Cap Screw for 19398 (2).....
213F	22319	Oil Cup Screw for 31-29 Machine.....
219J	22312	Arm Side Cap Screw for 31-17 and 31-18 Machines.....
220J	22336	Edge Guide Leveling Screw for 26810 (4)
225F	22327	Slack Thread Regulator Adjusting Screw for 31-18 Machine.....
226J	22312	Oscillating Shaft Crank Slide Block Cap Screw for 19449.....
227D	22322	Thread Take-up Spring Regulator Adjust- ing Screw for 31-29 Machine.....
230F	22340	Roller Ratchet Spring Stop Bracket Screw for 44276, 44279, 62842, 62849, 62871, 62880 and 62891.....
233J	22336	Edge Guide Slide Cap (right) Screw (small) for 26810.....
233J	22319	Face Plate Thread Guard Screw for 20213.
233D	22313	Needle Bar Thread Guard Screw.....
236J	22336	Finger Guard Screw for 120498 and 120860
240D	22320	Feed Wheel Retaining Clutch Spring Screw for 19302.....
248A	22310	Clamp Stop Motion Clamp Stop Screw for 3022.....
256J	22310	Clamp Stop Motion Clamp Screw for 3022..
284D	22337	Guide Thumb Screw (long).....
307C	22312	Feed Lifting Rock Shaft Screw Center for 56814 (2).....
307C	22312	Feed Rock Shaft Screw Center for 56814 (2).....
307C	22321	Feed Wheel Frame Shaft Screw Center for 56814 (2).....
313C	22312	Feed Bar Screw Center for 56813 (2)....
313C	22321	" Wheel Driver Link Screw Center for 56813 (2).....
324F	22321	Feed Wheel Driver Link Screw for 20007..
333D	22335	Bobbin Winder Friction Wheel Washer Screw for 12171, 12201 and 20308....
356C	22338	Rock Shaft Knee Arm Hub Set Screw for 2766.....
356C	22338	Rock Shaft Knee Plate Set Screw for 2767
356C	22909	" " Lifting Bracket Hook Set Screw for 6337.....
356C	22909	Rock Shaft Lifting Bracket Set Screw for 6337.....
375C	22310	Feed Connecting Link Hinge Screw (2)...

NUMERICAL LIST OF PARTS

No.	Plate	Name
375C	22310	Feed Forked Connection Hinge Screw.....
375C	22310	" Lifting Rock Shaft Crank Connecting Rod Hinge Screw for 31-17 Machine...
386D	22339	Roller Screw for 1897, 1911 and 1912....
388D	22339	" " for 1867, 51801 and 51802..
391J	22314	Shuttle Bobbin Case Position Plate Screw for 24419, 62752 and 62909 (2).....
418E	22333	Bobbin Winder Tension Screw Stud for 27308.....
435AL	22313	Thread Take-up Lever Link Hinge Pin Set Screw for 31-17 and 31-18 Machines..
446AL	22310	Feed Cam and Feed Lifting Eccentric Set Screw for 12197.....
446AL	22318	Feed Eccentric Set Screw for 5570.....
448AL	22310	Arm Shaft Flanged Bushing (back) Set Screw.....
448AL	22310	Balance Wheel Set Screw for 4370 and 12358 (2).....
448AL	22312	Lifting Lever Pin Set Screw for 12233 and 20233.....
448AL	22310	Oscillating Rock Shaft Hinge Pin Set Screw.....
448AL	22319	Tension Screw Stud Bushing Set Screw for 20213.....
448AL	22311	Thread Take-up Spring Regulator Set Screw for 31-17 and 31-18 Machines..
453AL	22320	Feed Wheel Frame Set Screw for 19267....
453AL	22313	Needle Bar Connecting Stud Set Screw for 12384.....
453AL	22312	Oscillating Shaft Crank Set Screw for 44135 (2).....
453AL	22313	Presser Bar Guide Bracket Set Screw for 12326, 20059 and 20217.....
456C	22313	Roller Arm Bracket Position Collar Set Screw for 19443.....
457AL	22321	Oscillating Shaft Crank Set Screw for 19447 and 20296.....
457AL	22319	Thread Retainer Set Screw for 20213.....
462AL	22310	Clamp Stop Motion Flanged Bushing Set Screw for 4933 (2).....
462AL	22312	Feed Lifting Rock Shaft Crank (back) Set Screw for 16556.....
465F	22336	Edge Guide Bed Leveling Screw for 36187 (4).....
466E	22322	Shuttle Tension Regulating Screw for 44000.....
591F	22313	Shuttle Tension Regulating Screw for 62740.....
592E	22313	Shuttle Bobbin Case Latch Stop Screw for 62740.....

NUMERICAL LIST OF PARTS

No.	Plate	Name
624AL	22311	Thread Retainer Set Screw for 31-17 and 31-18 Machines.....
652D	22313	Roller Screw for 1841, 1868 and 1895....
662E	22328	Shuttle Race Cap Screw for 62750 (2)...
665J	22340	Roller Ratchet Spring Stop Screw for 62852, 62854 and 62878.....
688J	22313	Pressure Regulating Thumb Screw.....
689C	22313	Presser Bar Lifter Screw.....
690E	22310	Thread Take-up Crank Wedge Screw for 31-17 and 31-18 Machines.....
691F	22311	Throat Plate Screw (2).....
692D	22335	Bobbin Winder Bracket Screw for 12168...
725J	22311	Shuttle Race Slide Spring Screw for 12432 (2).....
732D	22337	Guide Thumb Screw (short).....
748E	22314	Arm Screw (back) (2).....
766D	22313	Lifting Lever Link Hinge Screw for 20008, 20289, 139626, 139627, 139635 and 139636.....
775E	22313	Thread Take-up Lever Cap Screw for 43990
794E	22313	Needle Bar Connecting Link Adjusting Screw for 43997 and 44011.....
802D	22312	Lifting Lever Hinge Screw for 20008, 20289, 139626, 139627, 139635 and 139636.....
818D	22310	Feed Regulator Thumb Screw.....
854E	22314	Arm Screw (front) (2).....
858AL	22310	Needle Bar Crank Set Screw for 20188....
858AL	22318	Thread Take-up Cam Set Screw for 20300..
896AL	22310	Crank Connecting Rod Cap Screw for 20197 (2).....
907D	22314	Shuttle Race Back Spring Screw for 24419 and 62753.....
908C	22310	Crank Connecting Rod Hinge Screw for 139602.....
936E	22313	Needle Bar Screw Bushing (2).....
940W	22337	Guide Holder Hinge Screw for 120428....
966E	22310	Feed Lifting Rock Shaft Crank Connecting Rod Cap Screw for 43976 (2).....
987E	22313	Roller Arm Bracket Screw Stud for 24445.
988C	22312	Oscillating Shaft Crank Slide Block Screw Stud for 19449.....
1018C	22319	Tension Screw Stud for 44157.....
1053E	22314	Shuttle Race Cap Screw for 62502 (2)...
1065C	22310	Needle Bar Crank Position Screw for 20188.....
1090C	22322	Needle Bar Connecting Link Hinge Screw for 31-29 Machine.....
1091C	22321	Thread Take-up Lever Hinge Screw for 31-29 Machine.....

NUMERICAL LIST OF PARTS

No.	Plate	Name
1128E	22310	Feed Regulator Hinge Screw.....
1142E	22322	Shuttle Main Spring Screw for 20297.....
1208J	22319	" Race Slide Spring Screw for 24810 (2).....
1266AL	22312	Shuttle Driver Set Screw for 12444 (2).
1425D	22336	Edge Guide Arm Hinge Screw for 36188....
1480D	22332	Belt Guard Retaining Screw for 126365...
1500C	22318	Thread Take-up Cam Position Screw for 20300.....
1513J	22312	Feed Lifting Rock Shaft Screw Center Nut for 56814 (2).....
1513J	22312	Feed Rock Shaft Screw Center Nut for 56814 (2).....
1513J	22321	Feed Wheel Frame Shaft Screw Center Nut for 56814 (2).....
1518J	22310	Feed Connecting Link Hinge Screw Nut (2)
1518J	22310	" Forked Connection Hinge Screw Nut..
1518J	22310	" Lifting Rock Shaft Crank Connecting Rod Hinge Screw Nut for 31-17 Machine.....
1518E	22312	Oscillating Shaft Crank Slide Block Screw Stud Nut for 19447, 20296 and 44135.....
1519J	22312	Feed Bar Screw Center Nut for 56813 (2)
1519J	22321	" Wheel Driver Link Screw Center Nut for 56813 (2).....
1520J	22313	Presser Bar Lifter Screw Nut.....
1520E	22321	Thread Take-up Lever Hinge Screw Nut for 31-29 Machine.....
1521J	22312	Lifting Lever Connecting Rod Lock Nut for 20008, 20289, 139626, 139627, 139635 and 139636.....
1528J	22320	Feed Wheel Frame Adjusting Screw Nut for 19302 (2).....
1528J	22313	Roller Screw Nut for 1841, 1868, 1895, 1897, 1911, 1912, 51863, 51862, 51890, 51892, 51894, 51900 to 51902, 51907, 51909 and 51912.....
1547D	22321	Thread Take-up Lever Roller and Screw Stud Nut for 20230.....
1550H	22339	Roller Screw Nut for 1867, 51801 and 51802.....
1560C	22311	Tension Regulating Thumb Nut for 44141 and 44157.....
1562J	22333	Bobbin Winder Tension Regulating Thumb Nut for 27308.....
1619E	22310	Crank Connecting Rod Hinge Screw Nut....
1620J	22333	Bobbin Winder Frame Hinge Screw Nut for 27647 and 41548.....
1766C	----	Roller Ball Retaining Nut for 51863, 51892 and 51894.....

NUMERICAL LIST OF PARTS

No.	Plate	Name
1813	22312	Feed Lifting Rock Shaft Crank (front) Roller and Stud for 12376.....
1C41	22313	Roller, 7/8 in. diam., 9/64 in. face, fine with 652D and 1528J, for 62722.
1852	22337	Guide Roller for 28658.....
1867	22339	Roller, 9/16 in. diam., 9/64 in. face, coarse, with 388D and 1550H, for 62718.....
1868	22339	Roller, 7/8 in. diam., 9/64 in. face, coarse, with 652D and 1528J, for 62721.....
1895	22339	Roller, 7/8 in. diam., 3/16 in. face, coarse, with 652D and 1528J, for 62680.....
1897	22339	Roller, 1 1/4 in. diam., 3/16 in. face, coarse, with 386D and 1528J, for 62627.....
1904	22313	Needle Bar Connecting Stud Roller (roller only) for 12384.....
1911	22339	Roller, 1 1/4 in. diam., 9/64 in. face, coarse, with 386D and 1528J, for 16581.....
1912	22339	Roller, 1 1/4 in. diam., 9/64 in. face, fine, with 386D and 1528J, for 16582
1915	22321	Thread Take-up Lever Roller and Screw Stud for 20230.....
1988	22336	Edge Guide Arm Roller and Screw Stud for 36185.....
2020	22310	Clamp Stop Motion Clamp Washer for 3022.
2049	22321	Shuttle Driver Pin for 31-29 Machines....
2076	22322	" Cover Hinge Pin for 20298.....
2078	22322	" Delivery Eye Thread Guard for 44000.....
2080	22322	Shuttle Delivery Eye Thread Guard Rivet for 44000.....
2086	22322	Shuttle Tension Spring for 44000.....
2090	22322	" " " Plate for 44000..
2102	22317	Bobbin Winder Tension Disc for 225462 (2).....
2102	22311	Tension Disc for 20213 and 44118 (2)...
2106	22333	Bobbin Winder Tension Thread Guide for 27308.....
2135	22310	Balance Wheel (stand) heavy rim, 2 1/2 in. pulley, for 3022.....
2166	22322	Needle Bar Thread Guard for 31-29 Machine.....
2167	22313	Needle Clamp with 196F.....
2252	22320	Feed Wheel Friction Plate (front) for 19302.....
2254	22320	Feed Wheel Retaining Clutch for 19302...

NUMERICAL LIST OF PARTS

No.	Plate	Name
2255	22320	Feed Wheel Retaining Clutch Cap for 19302.....
2256	22320	Feed Wheel Retaining Clutch Spring for 19302.....
2258	22320	Feed Wheel for 19302, for 20165 and 20262 to 20264.....
Note: No. 2258 is sent with the Nos. 31-18 and 31-29 Machines unless another Feed Wheel is specified on order.		
2263	22320	Feed Wheel Driver with 2266, for 20007..
2265	22320	" " " Spring for 20007.....
2266	22320	" " " Hook for 2263..
2362	22336	Edge Guide Slide Cap (left) Steady Pin for 26803.....
2455	22333	Bobbin Winder Tension Disc for 27308 (2)
2523	22313	Shuttle Bobbin Case Position Finger Rivet for 62740.....
2531	22314	Shuttle Race Back for 24419 and 62753..
2532	22314	" " " Position Pin for 62517, 62751 and 62753 (2).....
2533	22314	Shuttle Race Back Spring for 24419 and 62753.....
2653	22321	Thread Take-up Lever Hinge Screw Bushing Pin for 20209.....
2763	22909	Rock Shaft for 4880 and 139633.....
2765	22338	" " Knee Arm for 2768.....
2766	22338	" " " Hub with 356C, for 2768.....
2767	22338	Rock Shaft Knee Plate with 356C, for 2768
2768	----	Rock Shaft Knee Arm complete for 139624 and 139625, Nos. 2765 to 2767.....
2770	22909	Rock Shaft Stop Dog with 140219C, for 4880 and 139633.....
2862	----	Balance Wheel (stand) heavy rim, 3 in. pulley, for 3022.....
2923	22319	Tension Spring for 20213.....
2973	22313	Shuttle Bobbin Case Latch Lever for 15141.....
2974	22313	Shuttle Bobbin Case Latch Lever Fulcrum Pin for 15141.....
2975	22313	Shuttle Bobbin Case Latch Spring for 62740.....
2996	22313	Shuttle Bobbin for 19292.....
3022	22310	Clamp Stop Motion complete, Nos. 248A, 256J, 2020 and 4933.....
3039	22310	Feed Regulator.....
3094	22310	Thread Take-up Crank Wedge for 31-17 and 31-18 Machines.....
3114	22320	Feed Wheel Friction Plate (back) for 19302.....

No.	Plate	Name
3146	22337	Guide Thumb Screw Washer for 25873.....
4307	22311	Shuttle Race Slide Spring for 12432 and 24810.....
4370	-----	Balance Wheel (stand) heavy rim, 2 3/4 in. pulley, with two 448AL.....
4784	22310	Oscillating Rock Shaft Oil Pad for 24105
4822	22308	Wrench for 1521, 1528 and 1547 (Attachments and Accessories).....
4879	22909	Chain Connecting Link for 4885.....
4880	22909	Rock Shaft complete for 20008 and 20289, Nos. 2763, 2770, 7125, 12243 and two each 6337 and 12242.....
4881	22909	Treadle for 4885.....
4882	22909	" Shaft for 4885.....
4883	22909	" Spring for 4885.....
4884	22909	" Stand for 4885.....
4885	22909	Treadle complete for 20008 and 20289, Nos. 4879, 4881 to 4884 and two wood screws 1 in. No. 16.....
4933	22310	Clamp Stop Motion Flanged Bushing with two 462AL, for 3022.....
5570	22318	Feed Eccentric with 446AL, for 20007....
5596	22312	Bell Crank for 56848.....
5598	22312	Bell Crank complete for 20008, 20289, 139626, 139627, 139635 and 139636, Nos. 5735 and 56848.....
5599	22312	Bell Crank Bracket for 56848.....
5601	22312	" " Hinge Pin for 56848.....
5670	22909	Chain, length 26 in. to 35 in., with 56864 and 56865, for 20008 and 20289
Note: When ordering No. 5670, state length required.		
5709	22328	Shuttle Race Cap for 62750.....
5735	22312	Bell Crank Spring for 5598.....
5960	22335	Bobbin Winder Friction Wheel (leather) for 12171, 12201 and 20308.....
5961	22335	Bobbin Winder Friction Wheel Washer for 12171, 12201 and 20308.....
5963	22335	Bobbin Winder Spindle Flange for 12171, 12201 and 20308.....
6055	22308	Machine Hinge Bolt Nut Washer for 44180.
6337	22909	Rock Shaft Lifting Bracket with two 356C, for 4480 and 139633.....
7071	22337	Guide Thumb Screw Washer for 120428.....
7125	22909	Rock Shaft Lifting Bracket Hook for 4880 and 5670.....
7336	22311	Thread Take-up Spring Regulator for 44118.....
7539	22338	Rock Shaft Hanger with two wood screws 1 in. No. 10 F.H. for 139625 (2).....
8068	22322	Thread Take-up Spring Regulator Adjusting Screw Washer for 31-29 Machine..

No.	Plate	Name
8418	22343	Belt Guard Button for 8420.....
8419	22343	" " " Washer (leather) for 8420.....
8420	-----	Belt Guard Button 8418 with 8419 and wood screw 1 1/4 in. No. 9 R.H.B. for 41931.....
8582	22314	Arm Dowel Pin.....
8879	22314	Arm Spool Pin Washer (cloth).....
8908	22308	Wrench for 1519 and 1520 (Attachments and Accessories).....
8909	22308	Wrench for 1513 and 1518 (Attachments and Accessories).....
9331	22332	Belt Guard Extension Screw Washer for 126365.....
10141	22333	Bobbin Winder Tension Spring for 27308
11119	22314	Arm Oil Tube with 52045, for oiling 12408, for 31-17 and 31-18 Machines.
11167	22313	Presser Bar Spring (light) .051 wire....
Note: No. 11167 is sent with these machines unless another spring is specified on order.		
11170	22313	Presser Bar Spring Washer.....
11204	22313	Thread Take-up Lever Link Hinge Pin for 43990.....
11241	22333	Bobbin Winder Spool Washer (cloth) for 27308.....
12123	22310	Feed Forked Connection for 31-17 Machine
12139	-----	Presser Bar Spring (medium) .055 wire...
12149	22311	Tension Thread Guard for 31-17 Machine..
12150	22311	Face Plate Thread Guard (lower) with 12152, for 20058.....
12152	22336	Edge Guide Slide Spring Cover Rivet for 121146 (2).....
12152	22311	Face Plate Thread Guard (lower) Rivet for 12150.....
12166	22313	Thread Take-up Lever Hinge Pin for 12410
12168	22335	Bobbin Winder Bracket for 12172, 12202 and 20309.....
12169	22335	Bobbin Winder Frame for 12171 and 12201.
12170	22335	" " Spring for 12172, 12202 and 20309.....
12171	22335	Bobbin Winder Frame complete for 12172, Nos. 333D, 5960, 5961, 5963, 12169 and 15077.....
12172	22335	Bobbin Winder complete for 4370, Nos. 32D, 180F, 12168, 12170 and 12171...
12193	22314	Arm Side Cover.....
12197	22310	Feed Cam and Feed Lifting Eccentric with 446AL, for 31-17 Machine.....
12201	22335	Bobbin Winder Frame complete for 12202, Nos. 333D, 5960, 5961, 5963, 12169 and 15077.....

NUMERICAL LIST OF PARTS

No.	Plate	Name
12202	22335	Bobbin Winder complete for 2135 and 2862, Nos. 32D, 180F, 12168, 12170 and 12201.....
12237	22312	Lifting Lever with 448AL, for 20008, 139626 and 139627.....
12240	22312	Lifting Lever Pin for 20008, 20289, 139626, 139627, 139635 and 139636...
12241	22313	Lifting Lever Link for 20008, 139626 and 139627.....
12242	22909	Rock Shaft Hanger with two wood screws 1 in. No. 10 F.H. for 4880 (2).....
12242	22338	Rock Shaft Hanger (front) with two wood screws 1 in. No. 10 F.H. for 139624.
12243	22909	Rock Shaft Lifting Bracket Hook for 4880 and 5598.....
12326	22313	Presser Bar Guide Bracket with 453AL, for 31-17 Machine.....
12327	22313	Presser Bar Lifting and Releasing Lever Bracket for 31-17 and 31-18 Machines
12329	22311	Tension Releasing Lever Spring for 31-17 and 31-18 Machines.....
*12355	-----	Arm with 15404 and two 15405, for 31-18 Machine.....
12357	22310	Arm Shaft Flanged Bushing (back).....
12358	22310	Balance Wheel (power) light rim, 2 3/16 in. pulley, with two 448AL.....
*12360	-----	Bed for 31-17 and 31-18 Machines.....
12361	22308	Machine Hinge Connection for 44140 and 44180.....
12368	22312	Feed Bar for 31-17 Machine.....
12374	22312	" Lifting Rock Shaft for 20001.....
12376	22312	" " " Crank (front) with 157J and 1813, for 20001.....
12379	22312	Feed Rock Shaft for 20333.....
12384	22313	Needle Bar Connecting Stud with 453AL and 1904, for 43997 and 44011.....
12388	22310	Oscillating Rock Shaft Hinge Pin for 24105.....
12389	22312	Oscillating Shaft for 31-17 and 31-18 Machines.....
12393	22313	Shuttle Body for 19292.....
12398	22311	Tension Releasing Lever Hinge Pin for 31-17 and 31-18 Machines.....
12404	22313	Thread Take-up Crank for 43990.....
12408	22313	" " Lever for 12410.....
12409	22313	" " Link for 12410.....
12410	-----	Thread Take-up Lever complete for 43990, Nos. 12166, 12408 and 12409.....
12415	22312	Lifting Lever Connecting Rod for 20008, 20289, 139626, 139627, 139635 and 139636.....

NUMERICAL LIST OF PARTS

No.	Plate	Name
12416	22312	Lifting Lever Connecting Rod Joint for 20008, 20289, 139626, 139627, 139635 and 139636.....
12424	22312	Oscillating Shaft Crank Slide Block Cap Screw Washer for 19449.....
12427	22310	Arm Shaft for 31-17 and 31-18 Machines..
12429	22318	Feed Forked Connection for 31-18 and 31-29 Machines.....
12431	22311	Shuttle Race Slide for 12432 and 24810..
12432	22311	Shuttle Race Slide complete for 31-17 Machine, Nos. 4307, 12431 and two 725J.....
12436	22311	Feed Dog, 11 teeth (18 teeth to the inch) for 12438, 12452 and 20192, for 31-17 Machine.....
		Note: No. 12436 is sent with the 31-17 Machine unless another Feed Dog is specified on order.
12438	22311	Throat Plate, large oblong needle hole, for 12436 and 20323, for 31-17 Machine (2).....
		Note: Two No. 12438 are sent with the 31-17 Machine unless other Throat Plates are specified on order.
12444	22312	Shuttle Driver with two 1266AL, for 31-17 and 31-18 Machines.....
12448	22313	Needle Bar (hollow).....
12452	22330	Throat Plate, small oblong needle hole, for 12436 and 20323, raised at needle hole, for top stitching for 31-17 Machine.....
12453	22314	Arm Oil Tube for intermediate bearing...
12454	22314	" " with 132590, for oiling 12409, for 31-17 and 31-18 Machines.
12480	22312	Arm Side Cap for 31-17 and 31-18 Machines.....
12486	22319	Oil Cup Packing (felt) for 20261.....
13710	22317	Bobbin Winder Tension Spring for 225462.
14010	22909	Bed Frame Hinge Plate Rivet for 20067 (6).....
15022	-----	Feed Wheel, coarse teeth, for 20165 and 20262 to 20264, for 31-18 and 31-29 Machines.....
15072	22333	Bobbin Winder Bobbin Position Pin for 15077 and 27538.....
15077	22335	Bobbin Winder Spindle with 15072, for 12171, 12201 and 20308.....
15140	22313	Shuttle Bobbin Case Latch for 15141.....
15141	-----	Shuttle Bobbin Case Hinge for 62740, Nos. 2973, 2974 and 15140.....
15278	22313	Shuttle Tension Spring for 62740.....

From the files of the Diamond Needle Co.

NUMERICAL LIST OF PARTS

No.	Plate	Name
*15404	-----	Trade Mark for 12355, 20209 and 44178...
15405	-----	" " Rivet for 12355, 20209 and 44178 (2).....
16232	-----	Roller Ball for 51863, 51892 and 51894 (24).....
16555	22909	Bed Frame Hinge Plate for 20067 (2)....
16556	22312	Feed Lifting Rock Shaft Crank (back) with 462AL, for 20001.....
16573	22339	Roller Arm for 16581 and 16582.....
16581	22339	Roller Presser complete, 1 1/4 in.diam., 9/64 in. face, coarse roller, Nos. 1911 and 16573.....
16582	22339	Roller Presser complete, 1 1/4 in.diam., 9/64 in. face, fine roller, Nos. 1912 and 16573.....
19165	22313	Presser Foot.....
Note: No. 19165 is sent with these machines unless another Presser Foot is specified on order.		
19219	22909	Bed Frame Cushion (leather) for 20067 (4).....
19220	22909	Bed Frame Cushion Spring for 20067 (4)
19221	22308	Wrench for 936 and 1619 (Attachments and Accessories).....
19226	22909	Bed Frame Hinge Connection for 19398 (2)
19266	22321	Feed Wheel Driver Link for 20007.....
19267	22320	" " Frame with 453AL, for 19302..
19292	22313	Shuttle, 1 11/16 in. diam., for 31-17 and 31-18 Machines, Nos. 2996, 12393 and 62740.....
19302	-----	Feed Wheel Frame complete for 20007, Nos. 151C, 183C, 183F, 240D, 2252, 2254 to 2256, 2258, 3114, 19267 and two each 119C and 1528J.....
19397	22909	Bed Frame Hinge Connection Cap for 19398 (2).....
19398	-----	Bed Frame Hinge Connection 19226 with 211E and 19397, for 20067 (2).....
19441	22313	Presser Bar (hollow) for 19464.....
19442	22313	Roller Arm Bracket for 19464.....
19443	22313	" " " Position Collar with 456C, for 19464.....
19444	22313	Roller Arm Bracket Spring for 24445.....
19445	22313	" " " " Pin for 24445.....
19446	22313	" " " " Stud for 24445.....
19447	-----	Oscillating Shaft Crank complete for 31-17 and 31-18 Machines, Nos. 457AL, 1518E, 19449 and 19496.....
19448	-----	Oscillating Shaft Crank Slide Block for 19449.....

NUMERICAL LIST OF PARTS

No.	Plate	Name
19449	22312	Oscillating Shaft Crank Slide Block complete for 19447, 20296 and 44135, Nos. 226J, 988C, 12424 and 19448....
19464	-----	Presser Bar complete, Nos. 190J, 19441 to 19443 and 24445.....
19496	-----	Oscillating Shaft Crank for 19447.....
20001	22312	Feed Lifting Rock Shaft complete for 31-17 Machine, Nos. 12374, 12376 and 16556.....
20006	22321	Feed Wheel Frame Shaft for 20007.....
20007	-----	Wheel Feed complete for 31-18 and 31-29 Machines, Nos. 324F, 2263, 2265, 5570, 19266, 19302, 20006, 20263, 20264 and 24810.....
20008	-----	Foot Lifter complete for 31-17 and 31-18 Machines, Nos. 78D, 766D, 802D, 1521J, 4880, 4885, 5598, 5670, 12237, 12240, 12241, 12415, 12416 and two 178E... ..
20011	22330	Feed Dog, 11 teeth (18 teeth to the inch) for 20012 and 20293, for 31-17 Machine.....
20012	22330	Throat Plate, large oblong needle hole, for 20011, for 31-17 Machine.....
20022	22308	Machine Rest (felt) Attachments and Accessories.....
20023	-----	Presser Bar Spring (heavy) .063 wire...
20057	22311	Face Plate for 20058.....
20058	-----	Face Plate complete for 31-17 and 31-18 Machines, Nos. 12150, 20057 and 139615.....
20059	22327	Presser Bar Guide Bracket with 453AL for 31-18 Machine.....
20060	22327	Slack Thread Regulator for 31-18 Machine
20061	22319	Tension Screw Stud Bushing for 20213....
20062	22319	Tension Screw Stud Flange for 20213.....
20063	22319	" " " " Collar for 20213.....
20067	22909	Bed Frame with two each 16555, 19398, four each 19219, 19220, six each 14010, wood screws 1 1/4 in. No. 12 and eight 158C.....
20114	22330	Presser Foot.....
20165	22331	Throat Plate, small oblong needle hole, for 2258 and 15022, raised at needle hole, for top stitching, for 31-18 and 31-29 Machines.....
20188	22310	Needle Bar Crank with 856AL and 1065C, for 31-17 and 31-18 Machines.....
20192	22330	Throat Plate, small oblong needle hole, for 12436 and 20323, for 31-17 Machine.....

No.	Plate	Name
20197	22310	Crank Connecting Rod with two 896AL.....
*20209	-----	Arm with 2653,15404,20324 and two 15405, for 31-29 Machine.....
20210	22318	Arm Shaft for 31-29 Machine.....
*20211	-----	Bed for 31-29 Machine.....
20212	22319	Face Plate for 20213.....
20213	22319	Face Plate complete for 31-29 Machine, Nos. 233J,448AL,457AL,2923,20061 to 20063,20212,20214,20228,20231,44157, 52454 and two 2102.....
20214	22319	Face Plate Thread Guard for 20213.....
20217	22322	Presser Bar Guide Bracket with 453AL,for 31-29 Machine.....
20218	22322	Presser Bar Lifting Bracket for 31-29 Machine.....
20224	22320	Shuttle Race Back for 20306.....
20228	22319	Tension Releaser for 20213.....
20230	22321	Thread Take-up Lever with 1547D and 1915, for 31-29 Machine.....
20231	22319	Thread Take-up Spring for 20213.....
20232	22322	" " " Regulator for 31-29 Machine.....
20233	22321	Lifting Lever with 448AL, for 20289, 139635 and 139636.....
20234	22322	Lifting Lever Link for 20289, 139635 and 139636.....
20261	-----	Oil Cup complete for 44227, Nos. 12486 and 24021.....
20262	22331	Throat Plate, large oblong needle hole, for 2258 and 15022, for 31-18 and 31-29 Machines.....
20263	22320	Throat Plate, medium oblong needle hole, for 2258 and 15022, for 20007, for 31-18 and 31-29 Machines.....
20264	22320	Throat Plate, small oblong needle hole, for 2258 and 15022, for 20007, for 31-18 and 31-29 Machines.....
Note: Nos. 20263 and 20264 are sent with the 31-18 and 31-29 Machines unless other Throat Plates are specified on order.		
20271	22330	Presser Foot, for beading or top stitch- ing, for 31-17 Machine.....
20272	22330	Presser Foot for shoe tips and gores for 31-17 Machine.....
20273	22330	Presser Foot for inside stays for 3/64 in. to 1/4 in. gauge, for 31-17 Ma- chine.....
Note: When ordering No. 20273, state gauge required.		
20274	22330	Presser Foot, for outside stays, for 31-17 Machine.....
Note: When ordering No. 20274, send sample of material for which it is to be used.		

No.	Plate	Name
20289	-----	Foot Lifter complete for 31-29 Machine, Nos. 76D,766D,802D,1521J,4880,4885, 5598,5670,12240,12415,12416,20233, 20234 and two 178E.....
20291	22342	Drip Pan with four 1 in. wire nails, for power table, for 31-18 and 31-29 Ma- chines.....
20293	-----	Throat Plate, small oblong needle hole, for 20011, for 31-17 Machine.....
20295	22321	Oscillating Shaft Crank for 20296.....
20296	22321	Oscillating Shaft Crank complete for 31-29 Machine, Nos. 457AL, 1518E, 19449 and 20295.....
*20297	-----	Shuttle Body with 1142E,20499,20500 and 44213, for 20298.....
20298	22322	Shuttle complete for 31-29 Machine, Nos. 2076, 20297, 24051 and 44000.....
20299	22321	Shuttle Driver for 31-29 Machine.....
20300	22318	Thread Take-up Cam with 858AL and 1500C, for 31-29 Machine.....
20305	22320	Shuttle Race Body for 20306.....
20306	22320	Shuttle Race complete for 31-29 Machine, Nos. 20224, 20306 and two 190C.....
20307	22335	Bobbin Winder Frame for 20308.....
20308	22335	Bobbin Winder Frame complete for 20309, Nos. 333D,5960,5961,5963,15077 and 20307.....
20309	22335	Bobbin Winder complete for 12358, Nos. 32D, 180F, 12168, 12170 and 20306...
20323	22330	Feed Dog, 8 teeth (12 teeth to the inch) for 12438, 12452 and 20192, for 31-17 Machine.....
20324	22321	Thread Take-up Lever Hinge Screw Bushing for 20209.....
20333	-----	Feed Rock Shaft complete, Nos. 12379 and 29633.....
20365	22322	Shuttle Cover for 44000.....
20461	22308	Wrench for 1620 (Attachments and Ac- cessories).....
20499	22322	Shuttle Bobbin Retaining Spring for 20297.....
20500	22322	Shuttle Main Spring for 20297.....
21031	22321	Oscillating Shaft for 31-29 Machine.....
22003	-----	Wrench for 1550 (Attachments and Ac- cessories).....
24021	22319	Oil Cup Extension for 20261.....
24051	22322	Shuttle Bobbin for 20298.....
24075	22311	Oil Cup Extension Post for 44005.....
24105	22310	Oscillating Rock Shaft complete for 139602, Nos. 4784 and 12388.....

No.	Plate	Name
24131	22314	Arm Oil Tube with 52045, for oiling 5570 and 12197.....
24297	22310	Balance Wheel Oil Cover for 31-17 and 31-18 Machines.....
24355	22318	Balance Wheel Oil Cover for 31-29 Machine.....
24412	22314	Shuttle Bobbin Case Position Plate for 24419 and 62752.....
24413	22314	Shuttle Race Body for 62502.....
24418	22314	" " Cap for 62502.....
24419	22314	Shuttle Race complete for 31-17 Machine, Nos. 907D, 2531, 2533, 24412, 62517 and two 391J.....
24445	-----	Roller Arm Bracket Spring Stud complete for 19464, Nos. 987E and 19444 to 19446.....
24810	22319	Shuttle Race Slide complete for 20007, Nos. 4307, 12431 and two 1208J.....
24903	22339	Roller Arm for 24904, 24905 and 62718...
24904	22339	Roller Presser complete, 9/16 in. diam., 3/32 in. face, coarse roller, Nos. 24903 and 51801.....
24905	22339	Roller Presser complete, 9/16 in. diam., 3/32 in. face, fine roller, Nos. 24903 and 51802.....
24990	22339	Roller Arm for 62627.....
25866	22337	Guide, for flush throat plate.....
25873	22337	Guide (combination).....
25874	22337	Guide, for raised throat plate.....
26026	22308	Screw Driver (machine) Attachments and Accessories.....
26403	22336	Feller (foot).....
26485	22308	Screw Driver (shuttle Tension) Attachments and Accessories.....
26803	22336	Edge Guide Bed with 2362, for 26810....
26805	22336	" " Slide Cap (left) for 26810...
26806	22336	" " " (right) for 26810..
26807	22336	" " " Lever for 26810.....
26808	22336	" " " Spring for 26810.....
26809	22336	" " " Cover for 121146
26810	22336	Edge Guide (roller) complete, Nos. 94D, 233J, 26803, 26805 to 26808, 121146, two 207F and four 220J.....
27302	22333	Bobbin Winder Frame for 27647 and 41548.
27303	-----	" " " Spring for 27647 and 41548.....
27306	22333	Bobbin Winder Spool Pin for 27308.....
27307	22333	" " " Stand for 27308.....
27308	22333	Bobbin Winder Spool Stand complete for 27544 and 41549, Nos. 418E, 1562J, 2106, 10141, 11241, 27306, 27307 and two each 2455 and wood screws 1 in. No. 10...

No.	Plate	Name
27312	22333	Bobbin Winder Stop Latch for 27647.....
27538	22333	" " Spindle with 15072 and 41828, for 27647 and 41548.....
27540	22333	Bobbin Winder Base for 27647 and 41548..
27541	22333	" " Pulley for 27647 and 41548
27544	22333	Bobbin Winder (swinging automatic, right hand) complete for 2996, for Stand, for 31-17 and 31-18 Machines, Nos. 27308 and 27647.....
27647	22333	Bobbin Winder for 27544, Nos. 35D, 1620J, 27302, 27303, 27312, 27538, 27540, 27541, 50356D and two wood screws 1 in. No. 7
27699	22334	Bobbin Winder Stop Latch for 41548.....
27739	22893	Thread Unwinder Thread Cone (wood) for large cones, for 225258 and 225260..
Note: No. 27739 is used with, but not included in 225258 and 225260.		
28084	22308	Machine Rest Pin (Attachments and Accessories).....
28658	22337	Guide (roller) with 1852.....
28971	22337	" for 120428.....
28972	22337	" Holder for 120428.....
29633	22312	Feed Rock Shaft Crank with 157J, for 20333.....
32572	22311	Tension Releasing Disc for 44118.....
32574	22311	" " Pin for 44118.....
35610	22337	Guide Holder Friction Washer for 120428.
36185	22336	Edge Guide Arm with 1988, for 36188....
36186	22336	" " " Friction Washer for 36188
36187	22336	" " Bed with four 465F, for 36188
36188	22336	Edge Guide (roller) complete, for glove work, Nos. 1425D and 36185 to 36187.
36818	22336	Finger Guard for 36821.....
36819	22336	" " Friction Washer for 36821..
36820	22336	" " Holder with 196J, for 36821
36821	22336	Finger Guard (metal) complete, Nos. 36818 to 36820 and 50316J.....
41400	22308	Machine Rest Pin (wood) 3 1/8 in. long (Attachments and Accessories).....
41548	22334	Bobbin Winder for 41549, Nos. 35D, 1620J, 27302, 27303, 27538, 27540, 27541, 27699, 50356D and two wood screws 1 in. No. 7
41549	22334	Bobbin Winder (swinging automatic, right hand) complete for 24051, for Stand, for 31-29 Machine, Nos. 27308 and 41548.....
41628	22333	Bobbin Winder Spindle Collar Pin for 27538.....
41929	22343	Belt Guard for 41931.....
41930	22343	" " Hinge for 41931 (2).....

NUMERICAL LIST OF PARTS

No.	Plate	Name
41931	22343	Belt Guard complete, Nos. 8420,41929,two 41930 and four wood screws 3/4 in. No. 9.....
43944	22311	Tension Releasing Lever for 31-17 and 31-18 Machines.....
43945	22311	Tension Spring for 44118.....
43946	22311	Thread Take-up Spring for 44118.....
43976	22310	Feed Lifting Rock Shaft Crank Connecting Rod with two 966E, for 31-17 Machine
43990	-----	Thread Take-up complete for 31-17 and 31-18 Machines, Nos. 775E, 11204, 12404, 12410 and 43997.....
43997	22313	Needle Bar Connecting Link with 794E and 12384, for 43990.....
*44000	-----	Shuttle Cover 20365 with 112E,466E,2078, 2080, 2086 and 2090, for 20298.....
44005	22311	Oil Cup Extension with 24075, for 44223.
44006	22311	" " Packing (felt) for 44225.....
44011	22322	Needle Bar Connecting Link with 794E and 12384, for 31-29 Machine.....
44118	22311	Tension complete for 31-17 and 31-18 Machines, Nos. 7336,32572,32574,43945, 43946,44141 and two 2102.....
44134	-----	Oscillating Shaft Crank for 44135.....
44135	22312	Oscillating Shaft Crank complete for 31-17 and 31-18 Machines, Nos.1518E, 19449, 44134 and two 453AL.....
44139	22308	Machine Hinge Plate for 44140 and 44180.
44140	22308	Machine Hinge complete, Nos. 12361,44139 and merlized wood screw 1 1/4 in. No. 14 (Attachments and Accessories)
44141	-----	Tension Screw Stud 50327C with 1560C,for 44118.....
44157	-----	Tension Screw Stud 1018C with 1560C, for 20213.....
*44178	-----	Arm with 15404 and two 15405, for 31-17 Machine.....
44180	-----	Machine Hinge complete, Nos. 6055,12361, 44139 and 51075E (Attachments and Accessories).....
44213	22322	Shuttle Main Spring Steady Pin for 20297
44222	22311	Oil Cup for 44223.....
44223	-----	" " 44222 with 44005, for 44225.....
44224	22311	" " Thread Retainer for 44225 and 44227.....
44225	22311	Oil Cup complete for 31-17 and 31-18 Machines, Nos. 44006, 44223 and 44224.
44227	22319	Oil Cup 20261 with 44224, for 31-29 Machine.....
44245	22313	Needle Bar Thread Guard for 31-17 and 31-18 Machines.....

NUMERICAL LIST OF PARTS

No.	Plate	Name
44274	22340	Roller Arm for 44279.....
44276	22340	Roller Presser (ball bearing) complete, 7/8 in. diam., 9/64 in. face, coarse roller, with ratchet brake, Nos. 230F, 51890, 62840 and 62852.....
44279	22340	Roller Presser (ball bearing) complete, 1 1/4 in. diam., 7/32 in. face, coarse roller, with ratchet brake, Nos. 230F, 44274, 51894 and 62854...
50302J	22336	Finger Guard Holder Set Screw for 120497 and 120858.....
50316J	22336	Finger Guard Hinge Screw for 36821.....
50327C	22311	Tension Screw Stud for 44141.....
50356D	22333	Bobbin Winder Frame Hinge Screw for 27647 and 41548.....
50551J	22332	Belt Guard Set Screw for 126365.....
50553C	22340	Roller Screw for 51863, 51892 and 51894.
51075E	22308	Machine Hinge Bolt with 51581E, for 44180.....
51224J	22314	Arm Side Cover Thumb Screw.....
51224J	22311	Face Plate Thumb Screw for 31-17 and 31-18 Machines.....
51224W	22337	Guide Thumb Screw for 120428.....
51581E	22308	Machine Hinge Bolt Nut for 51075E.....
51801	22339	Roller, 9/16 in. diam., 3/32 in. face, coarse, with 388D and 1550H, for 24904.....
51802	22339	Roller, 9/16 in. diam., 3/32 in. face, fine, with 388D and 1550H, for 24905
51863	22340	Roller, 1 1/4 in. diam., 7/32 in. face, coarse (ball bearing) complete for 62748, Nos. 1528J, 1766C, 50553C and twenty-four 16232.....
51882	22340	Roller, 7/8 in. diam., 9/64 in. face, fine (ball bearing) complete for 62842, Nos. 1528J, 201699C, 350104C and twenty-eight 206417.....
51890	22340	Roller, 7/8 in. diam., 9/64 in. face, coarse (ball bearing) complete for 44276, Nos.1528J,201699C,350104C and twenty-eight 206417.....
51892	22340	Roller, 1 1/4 in. diam., 1/8 in. face, coarse (ball bearing) complete for 62849, Nos. 1528J, 1766C, 50553C and twenty-four 16232.....
51894	22340	Roller, 1 1/4 in. diam., 7/32 in. face, coarse (ball bearing) complete for 44279, Nos. 1528J, 1766C, 50553C and twenty-four 16232.....

No.	Plate	Name
24131	22314	Arm Oil Tube with 52045, for oiling 5570 and 12197.....
24297	22310	Balance Wheel Oil Cover for 31-17 and 31-18 Machines.....
24355	22318	Balance Wheel Oil Cover for 31-29 Machine.....
24412	22314	Shuttle Bobbin Case Position Plate for 24419 and 62752.....
24413	22314	Shuttle Race Body for 62502.....
24418	22314	" " Cap for 62502.....
24419	22314	Shuttle Race complete for 31-17 Machine, Nos. 907D, 2531, 2533, 24412, 62517 and two 391J.....
24445	-----	Roller Arm Bracket Spring Stud complete for 19464, Nos. 987E and 19444 to 19446.....
24810	22319	Shuttle Race Slide complete for 20007, Nos. 4307, 12431 and two 1208J.....
24903	22339	Roller Arm for 24904, 24905 and 62718...
24904	22339	Roller Presser complete, 9/16 in. diam., 3/32 in. face, coarse roller, Nos. 24903 and 51801.....
24905	22339	Roller Presser complete, 9/16 in. diam., 3/32 in. face, fine roller, Nos. 24903 and 51802.....
24990	22339	Roller Arm for 62627.....
25866	22337	Guide, for flush throat plate.....
25873	22337	Guide (combination).....
25874	22337	Guide, for raised throat plate.....
26026	22308	Screw Driver (machine) Attachments and Accessories.....
26403	22336	Feller (foot).....
26485	22308	Screw Driver (shuttle Tension) Attachments and Accessories.....
26803	22336	Edge Guide Bed with 2362, for 26810....
26805	22336	" " Slide Cap (left) for 26810...
26806	22336	" " " " (right) for 26810...
26807	22336	" " " Lever for 26810.....
26808	22336	" " " Spring for 26810.....
26809	22336	" " " Cover for 121146
26810	22336	Edge Guide (roller) complete, Nos. 94D, 233J, 26803, 26805 to 26808, 121146, two 207F and four 220J.....
27302	22333	Bobbin Winder Frame for 27647 and 41548.
27303	-----	" " " Spring for 27647 and 41548.....
27306	22333	Bobbin Winder Spool Pin for 27308.....
27307	22333	" " " Stand for 27308.....
27308	22333	Bobbin Winder Spool Stand complete for 27544 and 41549, Nos. 418E, 1562J, 2106, 10141, 11241, 27306, 27307 and two each 2455 and wood screws 1 in. No. 10...

No.	Plate	Name
27312	22333	Bobbin Winder Stop Latch for 27647.....
27538	22333	" " Spindle with 15072 and 41828, for 27647 and 41548.....
27540	22333	Bobbin Winder Base for 27647 and 41548..
27541	22333	" " Pulley for 27647 and 41548
27544	22333	Bobbin Winder (swinging automatic, right hand) complete for 2996, for Stand, for 31-17 and 31-18 Machines, Nos. 27308 and 27647.....
27647	22333	Bobbin Winder for 27544, Nos. 35D, 1620J, 27302, 27303, 27312, 27538, 27540, 27541, 50356D and two wood screws 1 in. No. 7
27699	22334	Bobbin Winder Stop Latch for 41548.....
27739	22893	Thread Unwinder Thread Cone (wood) for large cones, for 225258 and 225260..
Note: No. 27739 is used with, but not included in 225258 and 225260.		
28064	22308	Machine Rest Pin (Attachments and Accessories).....
28658	22337	Guide (roller) with 1852.....
28971	22337	" for 120428.....
28972	22337	" Holder for 120428.....
29633	22312	Feed Rock Shaft Crank with 157J, for 20333.....
32572	22311	Tension Releasing Disc for 44118.....
32574	22311	" " Pin for 44118.....
35610	22337	Guide Holder Friction Washer for 120428.
36185	22336	Edge Guide Arm with 1988, for 36188....
36186	22336	" " " Friction Washer for 36188
36187	22336	" " Bed with four 465F, for 36188
36188	22336	Edge Guide (roller) complete, for glove work, Nos. 1425D and 36185 to 36187.
36818	22336	Finger Guard for 36821.....
36819	22336	" " Friction Washer for 36821..
36820	22336	" " Holder with 196J, for 36821
36821	22336	Finger Guard (metal) complete, Nos. 36818 to 36820 and 50316J.....
41400	22308	Machine Rest Pin (wood) 3 1/8 in. long (Attachments and Accessories).....
41548	22334	Bobbin Winder for 41549, Nos. 35D, 1620J, 27302, 27303, 27538, 27540, 27541, 27699, 50356D and two wood screws 1 in. No. 7
41549	22334	Bobbin Winder (swinging automatic, right hand) complete for 24051, for Stand, for 31-29 Machine, Nos. 27308 and 41548.....
41828	22333	Bobbin Winder Spindle Collar Pin for 27538.....
41929	22343	Belt Guard for 41931.....
41930	22343	" " Hinge for 41931 (2).....

NUMERICAL LIST OF PARTS

No.	Plate	Name
41931	22343	Belt Guard complete, Nos. 8420,41929,two 41930 and four wood screws 3/4 in. No. 9.....
43944	22311	Tension Releasing Lever for 31-17 and 31-18 Machines.....
43945	22311	Tension Spring for 44118.....
43946	22311	Thread Take-up Spring for 44118.....
43976	22310	Feed Lifting Rock Shaft Crank Connecting Rod with two 966E, for 31-17 Machine
43990	-----	Thread Take-up complete for 31-17 and 31-18 Machines, Nos. 775E, 11204, 12404, 12410 and 43997.....
43997	22313	Needle Bar Connecting Link with 794E and 12384, for 43990.....
*44000	-----	Shuttle Cover 20365 with 112E,466E,2078, 2080, 2086 and 2090, for 20298.....
44005	22311	Oil Cup Extension with 24075, for 44223.
44006	22311	" " Packing (felt) for 44225.....
44011	22322	Needle Bar Connecting Link with 794E and 12384, for 31-29 Machine.....
44118	22311	Tension complete for 31-17 and 31-18 Ma- chines, Nos. 7336,32572,32574,43945, 43946,44141 and two 2102.....
44134	-----	Oscillating Shaft Crank for 44135.....
44135	22312	Oscillating Shaft Crank complete for 31-17 and 31-18 Machines, Nos.1518E, 19449, 44134 and two 453AL.....
44139	22308	Machine Hinge Plate for 44140 and 44180.
44140	22308	Machine Hinge complete, Nos. 12361,44139 and merlized wood screw 1 1/4 in. No. 14 (Attachments and Accessories)
44141	-----	Tension Screw Stud 50327C with 1560C,for 44118.....
44157	-----	Tension Screw Stud 1018C with 1560C, for 20213.....
*44178	-----	Arm with 15404 and two 15405, for 31-17 Machine.....
44180	-----	Machine Hinge complete, Nos. 6055,12361, 44139 and 51075E (Attachments and Accessories).....
44213	22322	Shuttle Main Spring Steady Pin for 20297
44222	22311	Oil Cup for 44223.....
44223	-----	" " 44222 with 44005, for 44225.....
44224	22311	" " Thread Retainer for 44225 and 44227.....
44225	22311	Oil Cup complete for 31-17 and 31-18 Ma- chines, Nos. 44006, 44223 and 44224.
44227	22319	Oil Cup 20261 with 44224, for 31-29 Ma- chine.....
44245	22313	Needle Bar Thread Guard for 31-17 and 31-18 Machines.....

NUMERICAL LIST OF PARTS

No.	Plate	Name
44274	22340	Roller Arm for 44279.....
44276	22340	Roller Presser (ball bearing) complete, 7/8 in. diam., 9/64 in. face, coarse roller, with ratchet brake, Nos. 230F, 51890, 62840 and 62852.....
44279	22340	Roller Presser (ball bearing) complete, 1 1/4 in. diam., 7/32 in. face, coarse roller, with ratchet brake, Nos. 230F, 44274, 51894 and 62854...
50302J	22336	Finger Guard Holder Set Screw for 120497 and 120858.....
50316J	22336	Finger Guard Hinge Screw for 36821.....
50327C	22311	Tension Screw Stud for 44141.....
50356D	22333	Bobbin Winder Frame Hinge Screw for 27647 and 41548.....
50551J	22332	Belt Guard Set Screw for 126365.....
50553C	22340	Roller Screw for 51863, 51892 and 51894.
51075E	22308	Machine Hinge Bolt with 51581E, for 44180.....
51224J	22314	Arm Side Cover Thumb Screw.....
51224J	22311	Face Plate Thumb Screw for 31-17 and 31-18 Machines.....
51224W	22337	Guide Thumb Screw for 120428.....
51581E	22308	Machine Hinge Bolt Nut for 51075E.....
51801	22339	Roller, 9/16 in. diam., 3/32 in. face, coarse, with 388D and 1550H, for 24904.....
51802	22339	Roller, 9/16 in. diam., 3/32 in. face, fine, with 388D and 1550H, for 24905
51863	22340	Roller, 1 1/4 in. diam., 7/32 in. face, coarse (ball bearing) complete for 62748, Nos. 1528J, 1766C, 50553C and twenty-four 16232.....
51882	22340	Roller, 7/8 in. diam., 9/64 in. face, fine (ball bearing) complete for 62842, Nos. 1528J, 201699C, 350104C and twenty-eight 206417.....
51890	22340	Roller, 7/8 in. diam., 9/64 in. face, coarse (ball bearing) complete for 44276, Nos.1528J,201699C,350104C and twenty-eight 206417.....
51892	22340	Roller, 1 1/4 in. diam., 1/8 in. face, coarse (ball bearing) complete for 62849, Nos. 1528J, 1766C, 50553C and twenty-four 16232.....
51894	22340	Roller, 1 1/4 in. diam., 7/32 in. face, coarse (ball bearing) complete for 44279, Nos. 1528J, 1766C, 50553C and twenty-four 16232.....

NUMERICAL LIST OF PARTS

No.	Plate	Name
51900	22340	Roller, 7/8 in. diam., 1/8 in. face, coarse (ball bearing) complete for 62860, Nos. 1528J, 201699C, 350104C and twenty-eight 206417.....
51901	22340	Roller, 7/8 in. diam., 1/8 in. face, fine (ball bearing) complete for 62861, Nos. 1528J, 201699C, 350104C and twenty-eight 206417.....
51902	22340	Roller, 7/8 in. diam., 9/64 in. face, coarse (ball bearing) complete for 62868, Nos. 1528J, 201699C, 350104C and twenty-eight 206417.....
51907	22340	Roller, 7/8 in. diam., 1/8 in. face, fine (ball bearing) complete for 62871, Nos. 1528J, 201699C, 350104C and twenty-eight 206417.....
51909	22340	Roller, 7/8 in. diam., 1/8 in. face, coarse (ball bearing) complete for 62891, Nos. 1528J, 201699C, 350104C and twenty-eight 206417.....
51912	22340	Roller, 7/8 in. diam., 3/32 in. face, fine (ball bearing) complete for 62880, Nos. 1528J, 201699C, 350104C and twenty-eight 206417.....
51916	22336	Edge Guide Slide Roller and Stud for 121146.....
52016	22313	Presser Bar Lifter.....
52045	22314	Arm Oil Tube Packing (felt) for 11119 and 24131.....
52165	22310	Feed Connecting Link.....
52239	22314	Arm Spool Pin and Thread Eyelet.....
52454	22311	Thread Retainer for 20213, for 31-17 and 31-18 Machines.....
56813	-----	Feed Bar Screw Center 313C with 1519J, for 31-17 Machine (2).....
56813	-----	Feed Wheel Driver Link Screw Center 313C with 1519J, for 31-18 and 31-29 Machines (2).....
56814	-----	Feed Lifting Rock Shaft Screw Center 307C with 1513J, for 31-17 Machine (2).....
56814	-----	Feed Rock Shaft Screw Center 307C with 1513J (2).....
56814	-----	Feed Wheel Frame Shaft Screw Center 307C with 1513J, for 31-18 and 31-29 Machines (2).....
56848	-----	Bell Crank 5596 with 5599 and 5601, for 5598.....
56864	22909	Chain Hook (large) for 5670.....
56865	22909	" " (small) for 5670.....

NUMERICAL LIST OF PARTS

No.	Plate	Name
62502	-----	Shuttle Race Body 24413 with 24418 and two 1053E, for 62517.....
62517	-----	Shuttle Race Body 62502 with two 2532, for 24419 and 62909.....
62627	22339	Roller Presser complete, 1 1/4 in. diam., 3/16 in. face, coarse roller, Nos. 1897 and 24990.....
62677	22313	Roller Arm for 62680, 62721 and 62722...
62680	22339	Roller Presser complete, 7/8 in. diam., 3/16 in. face, coarse roller, with roller set 1/8 in. beyond center of needle, Nos. 1895 and 62677.....
62718	22339	Roller Presser complete, 9/16 in. diam., 9/64 in. face, coarse roller, Nos. 1867 and 24903.....
62721	22339	Roller Presser complete, 7/8 in. diam., 9/64 in. face, coarse roller, Nos. 1868 and 62677.....
62722	22313	Roller Presser complete, 7/8 in. diam., 9/64 in. face, fine roller, Nos. 1841 and 62677.....
Note: No. 62722 is sent with these machines unless another Roller Presser is specified on order		
62740	22313	Shuttle Bobbin Case complete for 19292, Nos. 591F, 592E, 2523, 2975, 15141 and 15278.....
62747	22340	Roller Arm for 62748.....
62748	22340	Roller Presser (ball bearing) complete, 1 1/4 in. diam., 7/32 in. face, coarse roller, Nos. 51863 and 62747.
62749	22328	Shuttle Race Body for 62750.....
62750	-----	" " " 62749 with 5709 and two 662E, for 62751 and 62752.....
62751	-----	Shuttle Race Body 62750 with two 2532, for 31-18 Machine.....
62752	-----	Shuttle Race Body 62750 with 24412 and two 391J, for 62753.....
62753	22328	Shuttle Race complete for 31-18 Machine, Nos. 907D, 2531, 2533, 62752 and two 2532.....
62840	22340	Roller Arm for 44276, 62842, 62871, 62880 and 62891.....
62842	22340	Roller Presser (ball bearing) complete, 7/8 in. diam., 9/64 in. face, fine roller, with ratchet brake, Nos. 230F, 51882, 62840 and 62852.....
62843	22340	Roller Arm for 62849.....
62849	22340	Roller Presser (ball bearing) complete, 1 1/4 in. diam., 1/8 in. face, coarse roller, with ratchet brake, Nos. 230F, 51892, 62843 and 62854.....

No.	Plate	Name
62850	22340	Roller Ratchet Spring Stop for 62852 and 62878.....
62851	22340	Roller Ratchet Spring Stop Bracket for 62852 and 62854.....
62852	-----	Roller Ratchet Spring Stop Bracket 62851 with 665J and 62850, for 44276, 62842, 62871 and 62880.....
62853	22340	Roller Ratchet Spring Stop for 62854....
62854	-----	" " " " Bracket 62851 with 665J and 62853, for 44279 and 62849.....
62855	22340	Roller Arm for 62860 and 62861.....
62857	22340	" " " 62868.....
62860	22340	Roller Presser (ball bearing) complete, 7/8 in. diam., 1/8 in. face, coarse roller, with roller set 1/8 in. beyond center of needle, Nos. 51900 and 62855.....
62861	22340	Roller Presser (ball bearing) complete, 7/8 in. diam., 1/8 in. face, fine roller, with roller set 1/8 in. beyond center of needle, Nos. 51901 and 62855.....
62868	22340	Roller Presser (ball bearing) complete, 7/8 in. diam., 9/64 in. face, coarse roller, Nos. 51902 and 62857.....
62871	22340	Roller Presser (ball bearing) complete, 7/8 in. diam., 1/8 in. face, fine roller, with ratchet brake, Nos. 230F, 51907, 62840 and 62852.....
62877	22340	Roller Ratchet Spring Stop Bracket for 62878.....
62878	-----	Roller Ratchet Spring Stop Bracket 62877 with 665J and 62850, for 62891.....
62880	22340	Roller Presser (ball bearing) complete, 7/8 in. diam., 3/32 in. face, fine roller, with ratchet brake, Nos. 230F, 51912, 62840 and 62852.....
62891	22340	Roller Presser (ball bearing) complete, 7/8 in. diam., 1/8 in. face, coarse roller, with ratchet brake, Nos. 230F, 51909, 62840 and 62878.....
62909	-----	Shuttle Race Body 62517 with two 391J, for 31-17 Machine (for Agents only)
120342	22308	Oiler (copper plated) with 120343 (Attachments and Accessories).....
120343	22308	Oiler Spout, 3 1/2 in. long, for 120342.
120427	22337	Guide Holder Shank for 120428.....
120428	22337	Guide (adjustable, hinged) complete, Nos. 940W, 7071, 28971, 28972, 35610, 51224W and 120427.....

No.	Plate	Name
120496	22336	Finger Guard for 120498.....
120497	22336	" " Holder with 50302J, for 120498.....
120498	22336	Finger Guard (metal) complete, Nos. 236J, 120496 and 120497.....
120857	22336	Finger Guard for 120860.....
120858	22336	" " Holder with 50302J, for 120860.....
120860	22336	Finger Guard (wire) complete, Nos. 120857, 120858 and two 236J.....
121146	22336	Edge Guide Slide with 26809, 51916 and two 12152, for 26810.....
125424	22311	Face Plate Thread Guard (upper) Rivet for 139615.....
126356	22332	Belt Guard for 126365.....
126363	22332	" " Bracket for 126365.....
126364	22332	" " Extension for 126365.....
126365	22332	Belt Guard (adjustable) complete, for Bench Stand, Nos. 162D, 1480D, 9331, 50551J, 126356, 126363, 126364 and two wood screws 1 in. No. 10.....
127312	22338	Rock Shaft Hanger (back) with two wood screws 1 in. No. 10 F.H. for 139624.
132590	22314	Arm Oil Tube Packing (felt) for 12454...
139602	-----	Oscillating Rock Shaft 24105 with 908C..
139615	22311	Face Plate Thread Guard (upper) with 125424, for 20058.....
139622	22341	Drip Pan with four 1 in. wire nails, for power table, for 31-17 Machine.....
139623	22338	Rock Shaft Lifting Bracket Hook for 139633.....
139624	22338	Rock Shaft complete for 139626 and 139635, Nos. 2768, 12242, 127312 and 139633.....
139625	22338	Rock Shaft complete for 139627 and 139636, Nos. 2768, 139633 and two 7539.....
139626	-----	Knee Lifter complete (power table) for 31-17 and 31-18 Machines, Nos. 76D, 766D, 802D, 1521J, 5598, 12237, 12240, 12241, 12415, 12416, 139624 and two 178E.....
139627	-----	Knee Lifter complete (individual motor and foot power stands) for 31-17 and 31-18 Machines, Nos. 76D, 766D, 802D, 1521J, 5598, 12237, 12240, 12241, 12415, 12416, 139625 and two 178E.....
139633	-----	Rock Shaft 2763 with 2770, 6337 and 139623, for 139624 and 139625.....

NUMERICAL LIST OF PARTS

No.	Plate	Name
139635	-----	Knee Lifter complete (power table) for 31-29 Machine, Nos. 76D, 766D, 802D, 1521J, 5598, 12240, 12415, 12416, 20233, 20234, 139624 and two 178E.....
139636	-----	Knee Lifter complete (individual motor and foot power stands) for 31-29 Machine, Nos. 76D, 766D, 802D, 1521J, 5598, 12240, 12415, 12416, 20233, 20234, 139625 and two 178E.....
140219C	22909	Rock Shaft Stop Dog Set Screw for 2770..
150203	22893	Thread Unwinder Spool Rest Cushion (felt) for 225258 and 225260.....
200056E	23217	Bobbin Winder Stop Latch Screw for 259431.....
200082D	23217	Bobbin Winder Tension Bracket Screw for 259431.....
200113F	23217	Bobbin Winder Brake Clamp Screw for 259431.....
200299H	23217	Bobbin Winder Stop Latch Trip Lever Hinge Screw for 259431.....
200380C	23217	Bobbin Winder Pulley Set Screw for 225368.....
200383C	22893	Thread Unwinder Spool Rest Rod Set Screw for 202490.....
201018C	22893	Thread Unwinder Spool Rest Set Screw for 225257 and 225259.....
201499B	23217	Bobbin Winder Tension Stud for 225461...
201572B	22317	" " " " Thumb Nut for 225462.....
201696J	22893	Thread Unwinder Thread Guide Lock Nut for 225258 and 225260.....
201699C	22340	Roller Ball Retaining Nut for 51882, 51890, 51900 to 51902, 51907, 51909 and 51912.....
202277	23217	Bobbin Winder Frame Oil Packing (wick) for 225453.....
202478	23217	Bobbin Winder Stop Latch Trip Lever for 259431.....
202490	22893	Thread Unwinder Spool Stand with 200383C, for 225258 and 225260.....
206417	22340	Roller Ball for 51882, 51890, 51900 to 51902, 51907, 51909 and 51912 (28).
225257	22248	Thread Unwinder Spool Rest with 201018C, for 225258.....
225258	22248	Thread Unwinder complete, for two spools or two large cones of thread, Nos. 201696J, 202490, 225257, 225324, 225326, 225388, two each 150203, 225391 and three wood screws 7/8 in. No. 12 F.H.
225259	22893	Thread Unwinder Spool Rest with 201018C, for 225260.....

NUMERICAL LIST OF PARTS

No.	Plate	Name
225260	22893	Thread Unwinder complete, for one spool or one large cone of thread, Nos. 150203, 201696J, 202490, 225259, 225324, 225326, 225388, 225391 and three wood screws 7/8 in. No. 12 F.H.....
225322	22893	Thread Unwinder Thread Guide Rod Washer for 225324.....
225324	22893	Thread Unwinder Thread Guide Rod with 208E and 225322, for 225258 and 225260.....
225326	22893	Thread Unwinder Thread Guide Position Cup for 225258 and 225260.....
225368	23217	Bobbin Winder Pulley with 200380C, for 259431.....
225381	23217	Bobbin Winder Spindle for 259431.....
225388	22893	Thread Unwinder Spool Rest Rod for 225258 and 225260.....
225390	22893	Thread Unwinder Thread Cone Holder, for inverted cones, for 225258 and 225260.....
Note: No. 225390 is used with, but not included in 225258 and 225260.		
225391	22893	Thread Unwinder Thread Guide for 225258 and 225260.....
225438	23217	Bobbin Winder Frame Oil Well Cap for 225453.....
225444	23217	Bobbin Winder Stop Latch for 259431....
225453	23217	" " Frame with 202277 and 225438, for 259431.....
225454	23217	Bobbin Winder Frame Hinge Pin for 259431
225455	23217	" " " Spring for 259431...
225456	23217	" " " " Plunger for 259431.....
225458	23217	Bobbin Winder Stop Latch Thumb Lever for 259431.....
225459	23217	Bobbin Winder Stop Latch Thumb Lever Hinge Stud for 259431.....
225459	23217	Bobbin Winder Stop Latch Thumb Lever Joint Stud for 259431.....
225461	23217	Bobbin Winder Tension Bracket with 201499B, for 225462.....
225462	23217	Bobbin Winder Tension Bracket complete for 259431, Nos. 13710, 201572B, 225461 and two 2102.....
228026	23217	Bobbin Winder Tension Bracket Screw Washer for 259431.....
259428	23217	Bobbin Winder Brake (leather) for 259431
259429	23217	" " " Clamp for 259431....
259430	23217	" " and Tension Bracket Base for 259431.....

From the Library of: Diacon Needle Corp

NUMERICAL LIST OF PARTS

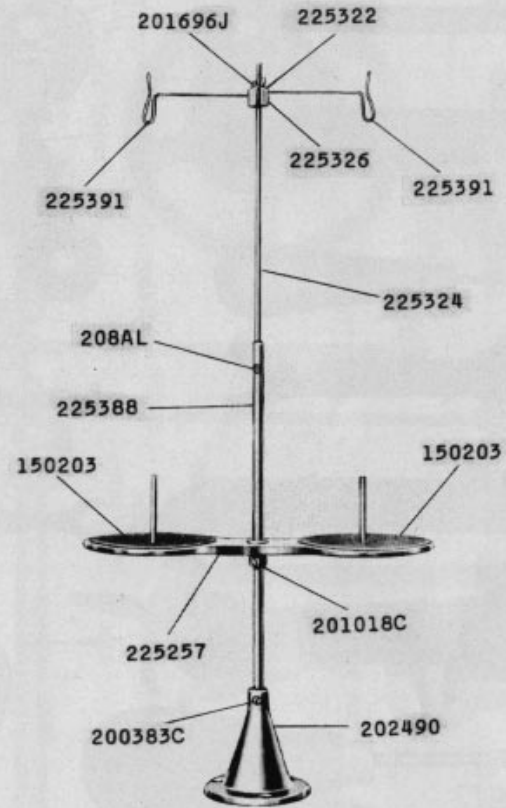
No.	Plate	Name
259431	23217	Bobbin Winder (universal) complete, Nos. 200056E, 200082D, 200113F, 200299H, 202478, 225368, 225381, 225444, 225453 to 225456, 225458, 225462, 228026, 259428 to 259430, two each 225459 and wood screws 3/4 in. No. 12, R.H.B.....
350104C	22340	Roller Screw for 51882, 51890, 51900 to 51902, 51907, 51909 and 51912.....

SINGER Needles should be used
in SINGER Machines.
These Needles and their Containers
are marked with the
Company's Trade-Mark "SIMANCO.***" 1

Needles in Containers marked
"FOR SINGER MACHINES"
are NOT **SINGER** made needles. 2

22248 - 1/6

225258

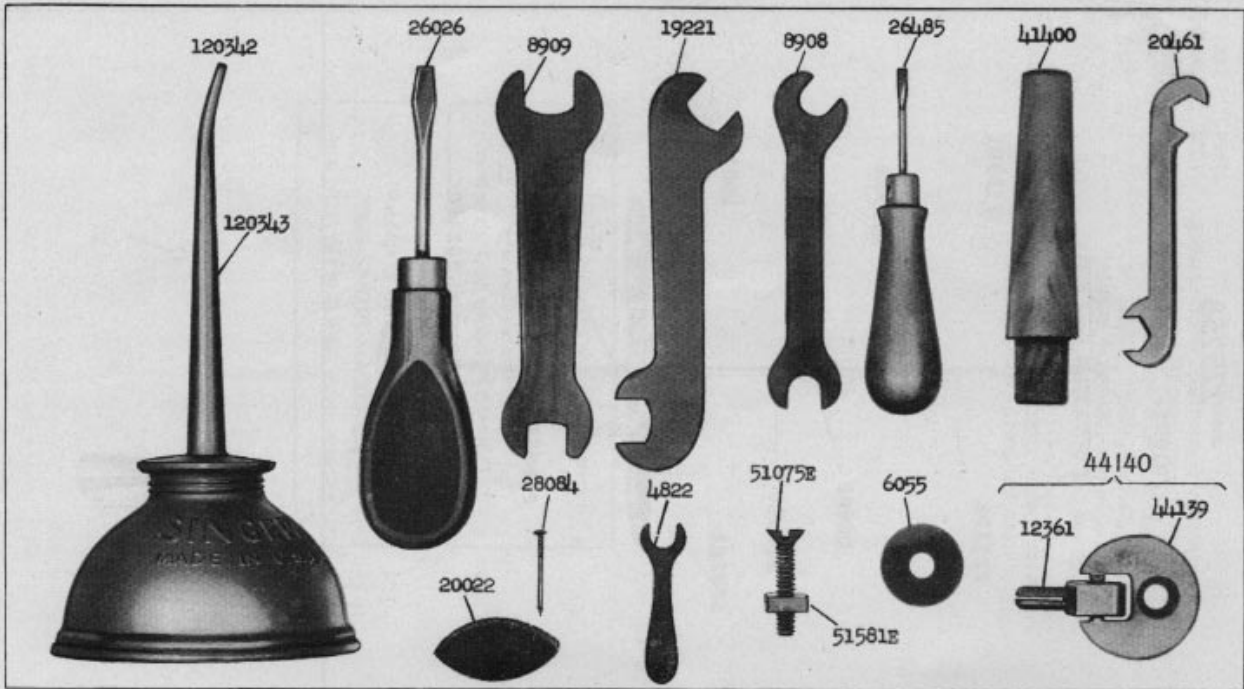


27739

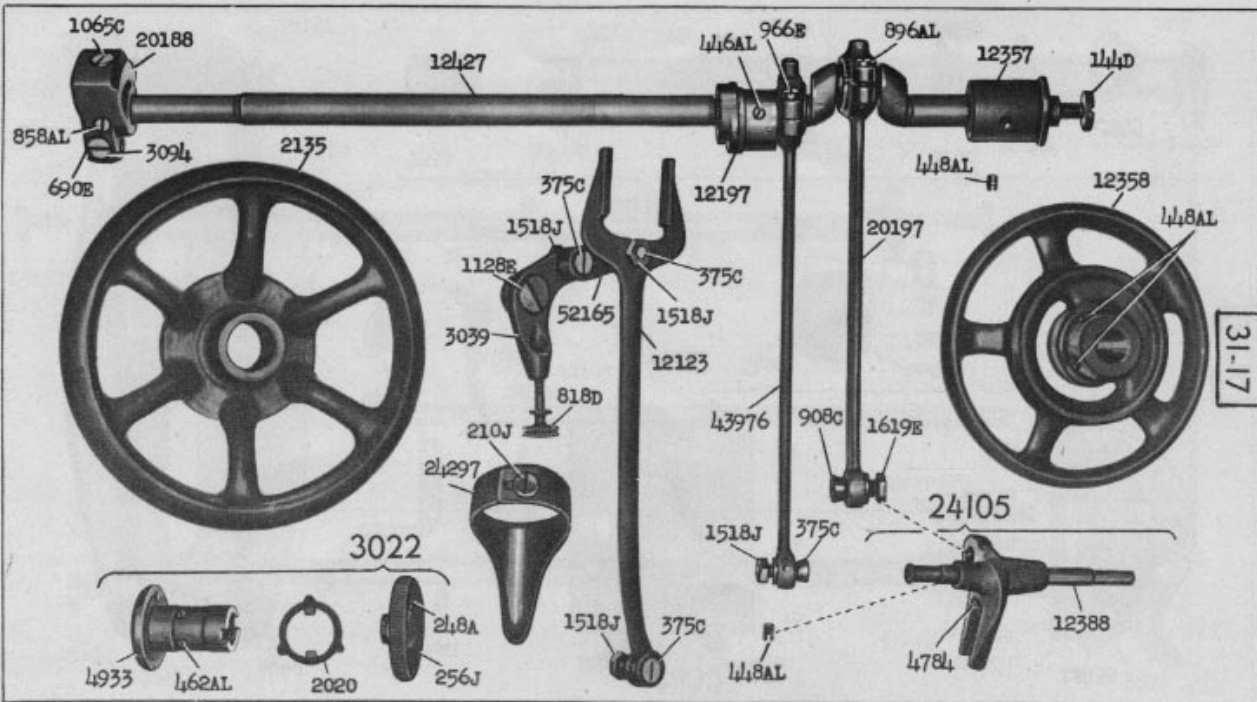


225390

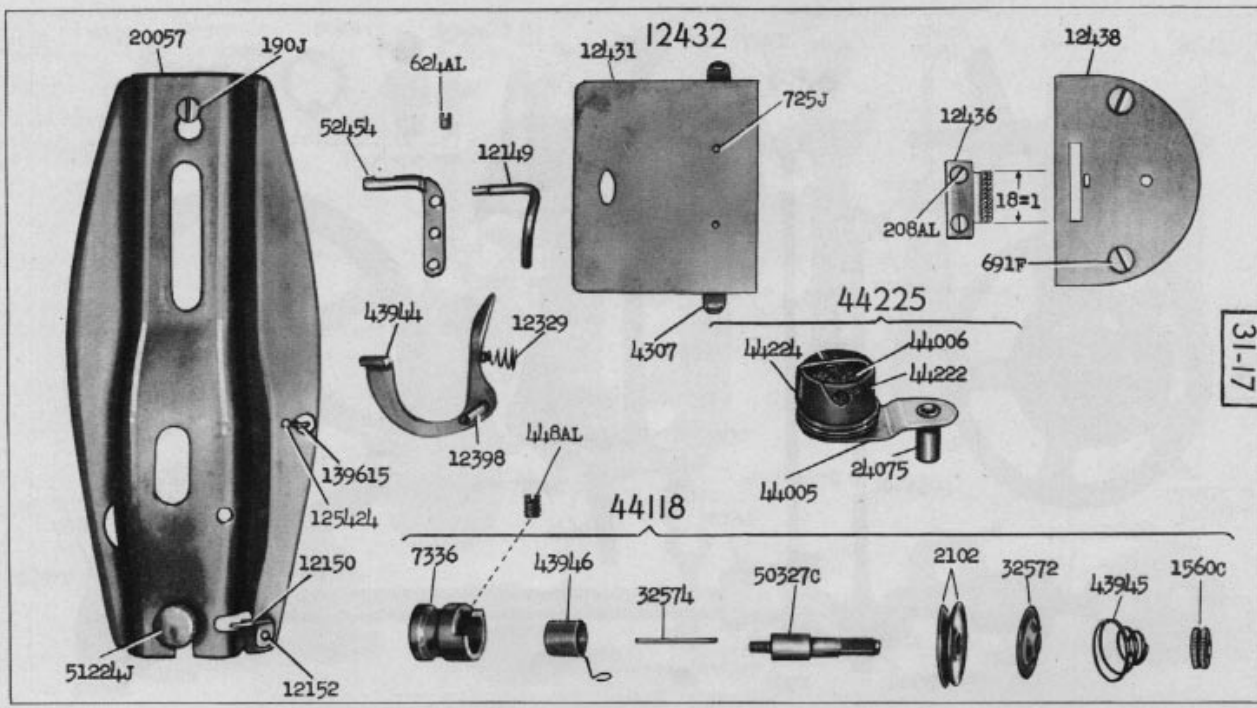




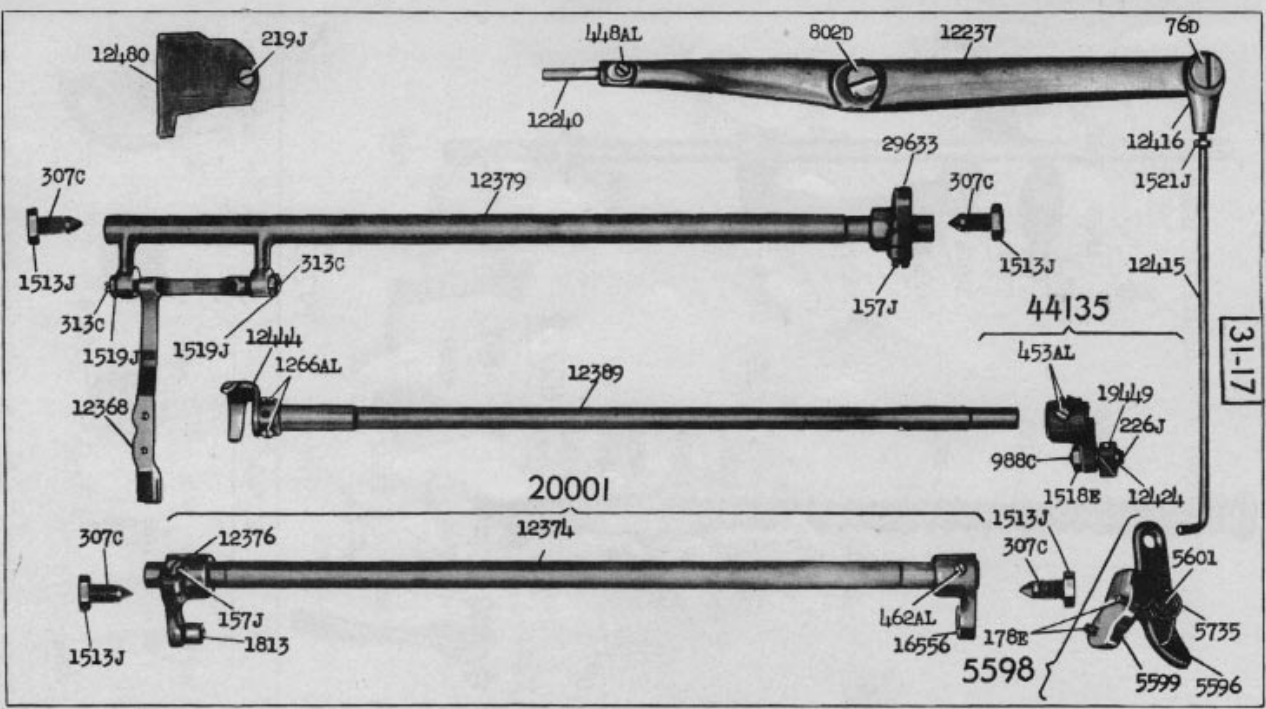
22308 - 1/2



22310 - 1/3
31-17



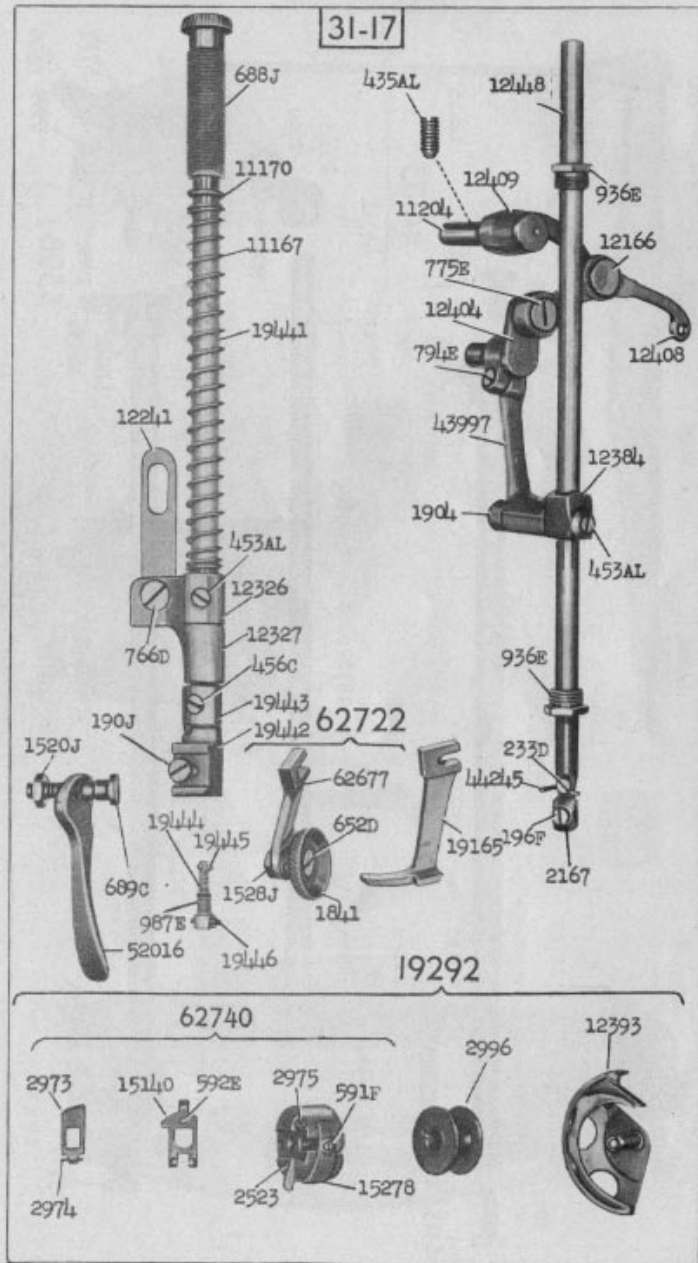
22311 - 1/2
31-17



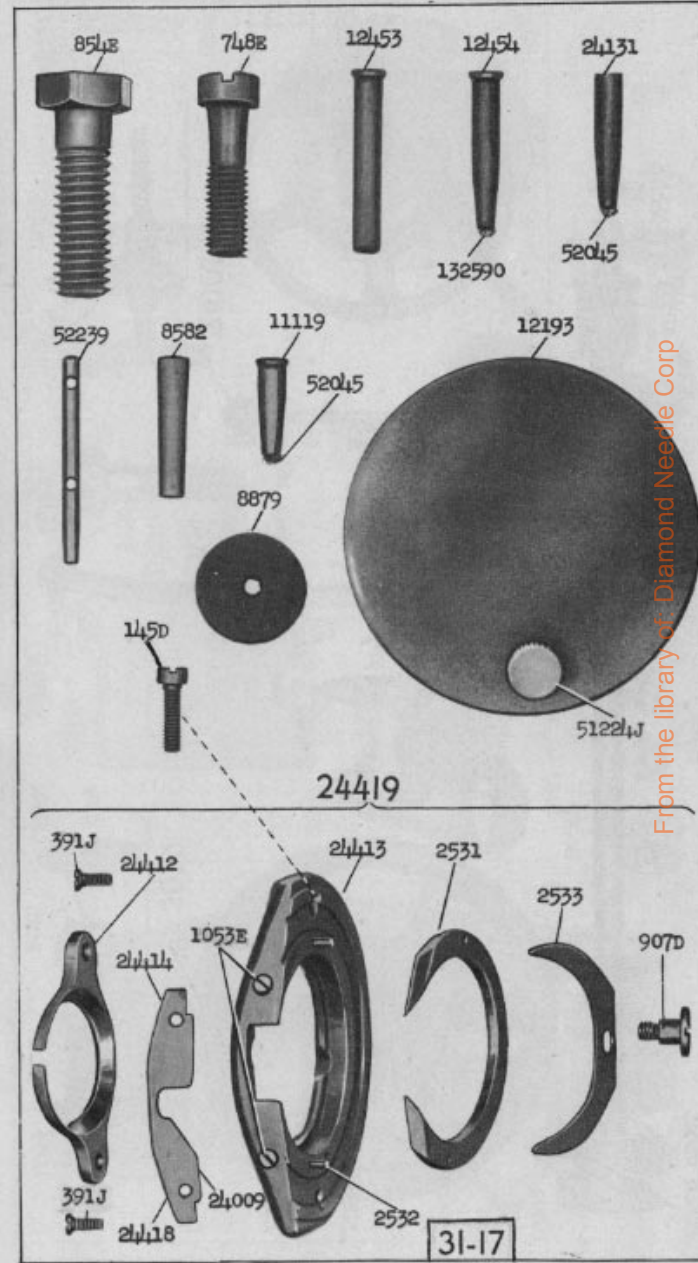
22312 - 1/3
31-17

22313 - 1/2

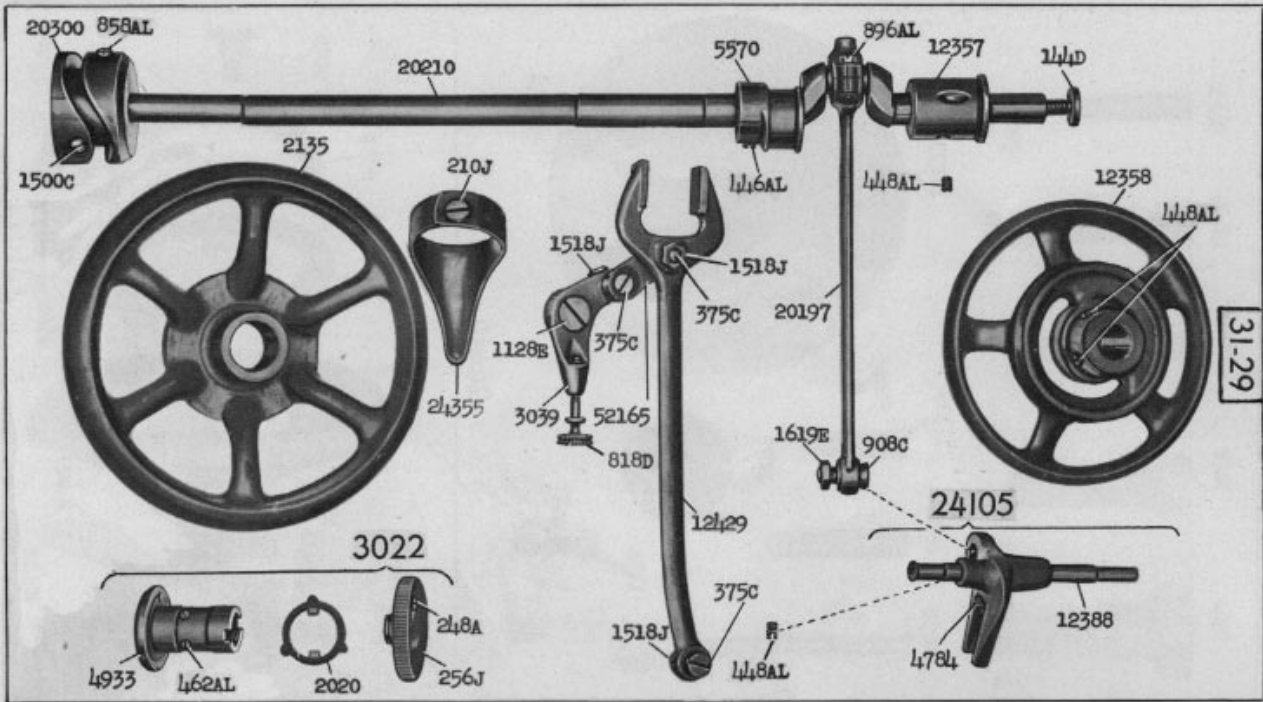
31-17



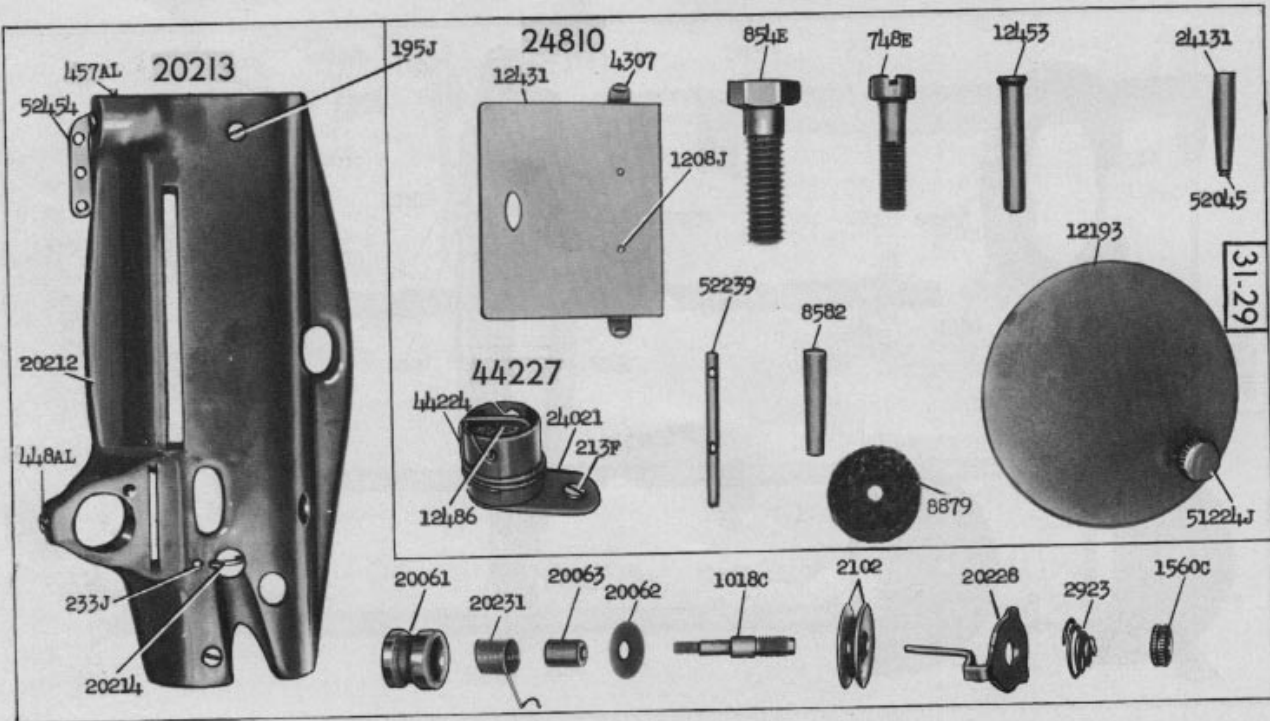
22314 - 2/3



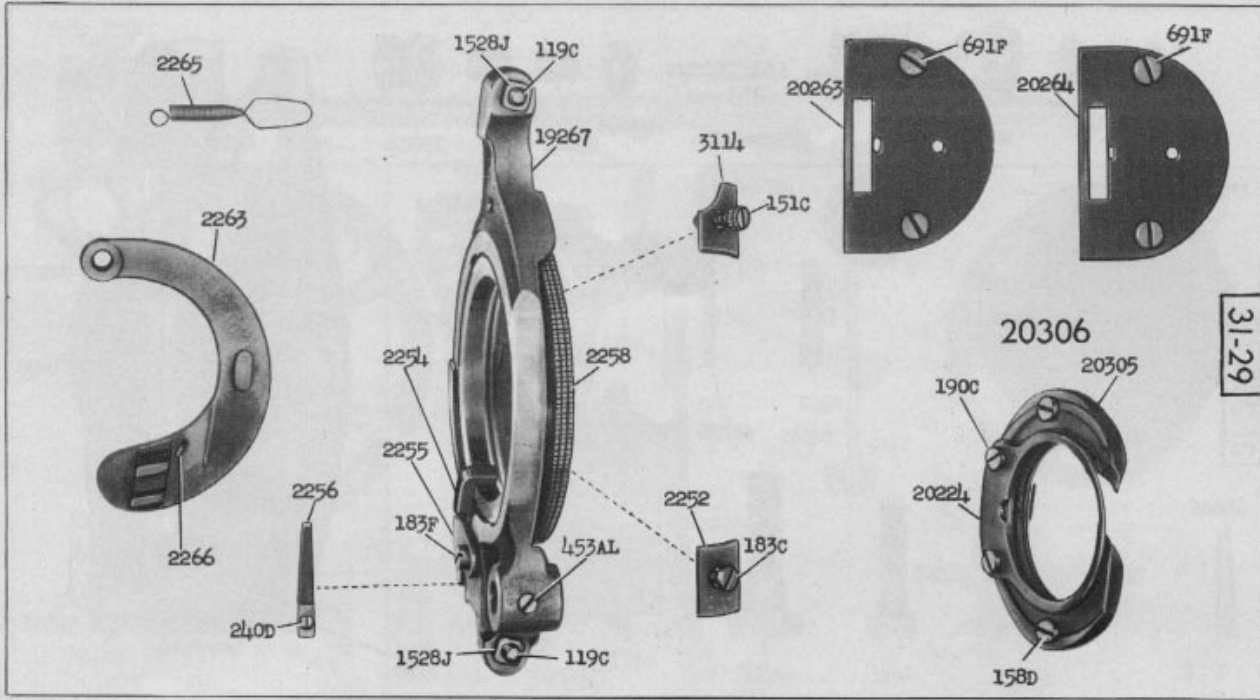
From the library of Diamond Needle Corp



22318 - 1/3

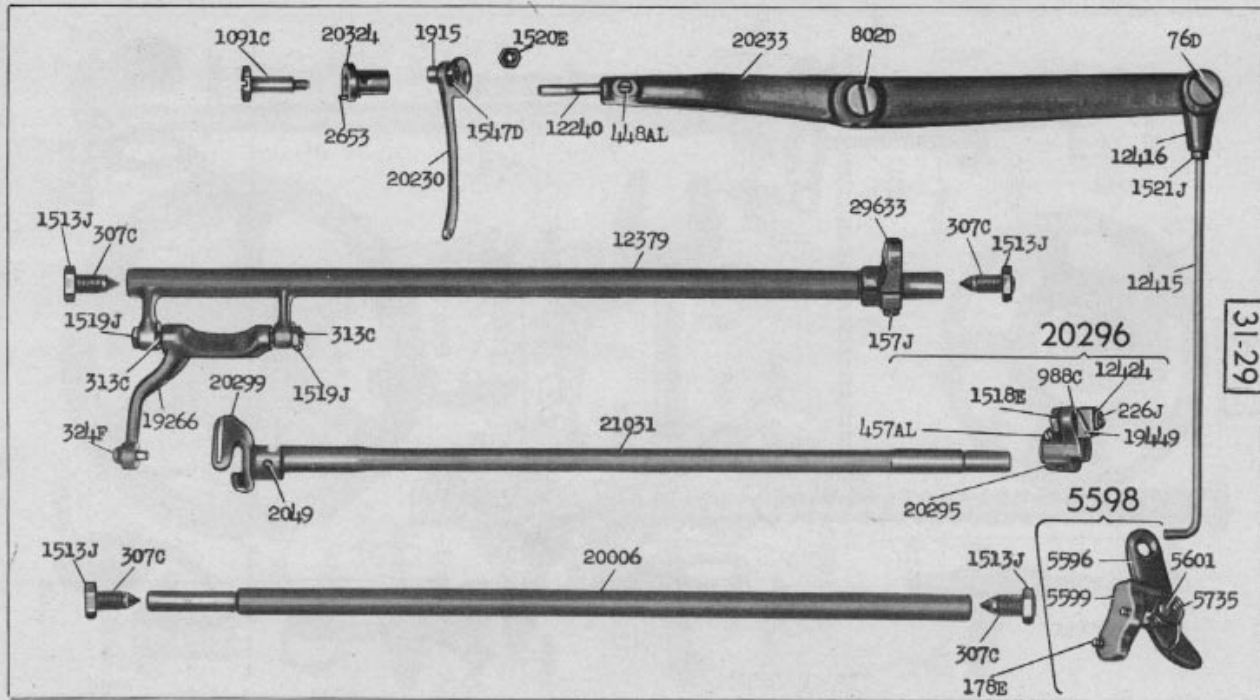


22319 - 1/2



31-29

22320 - 1/2

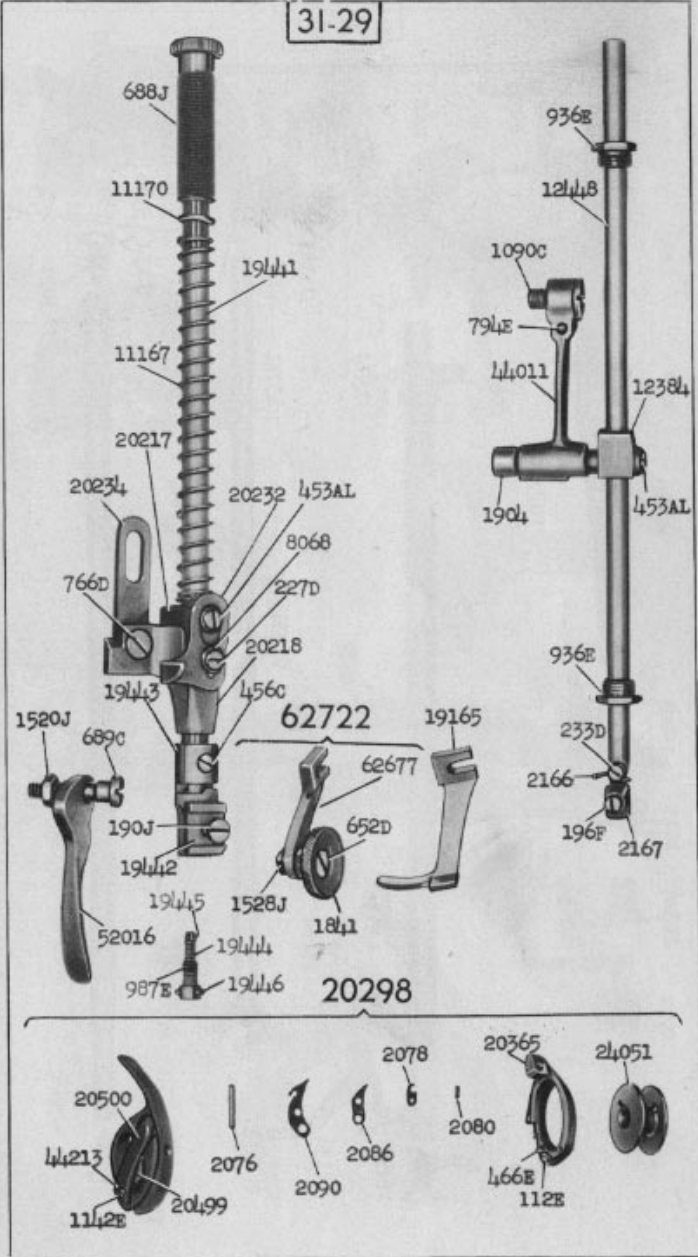


31-29

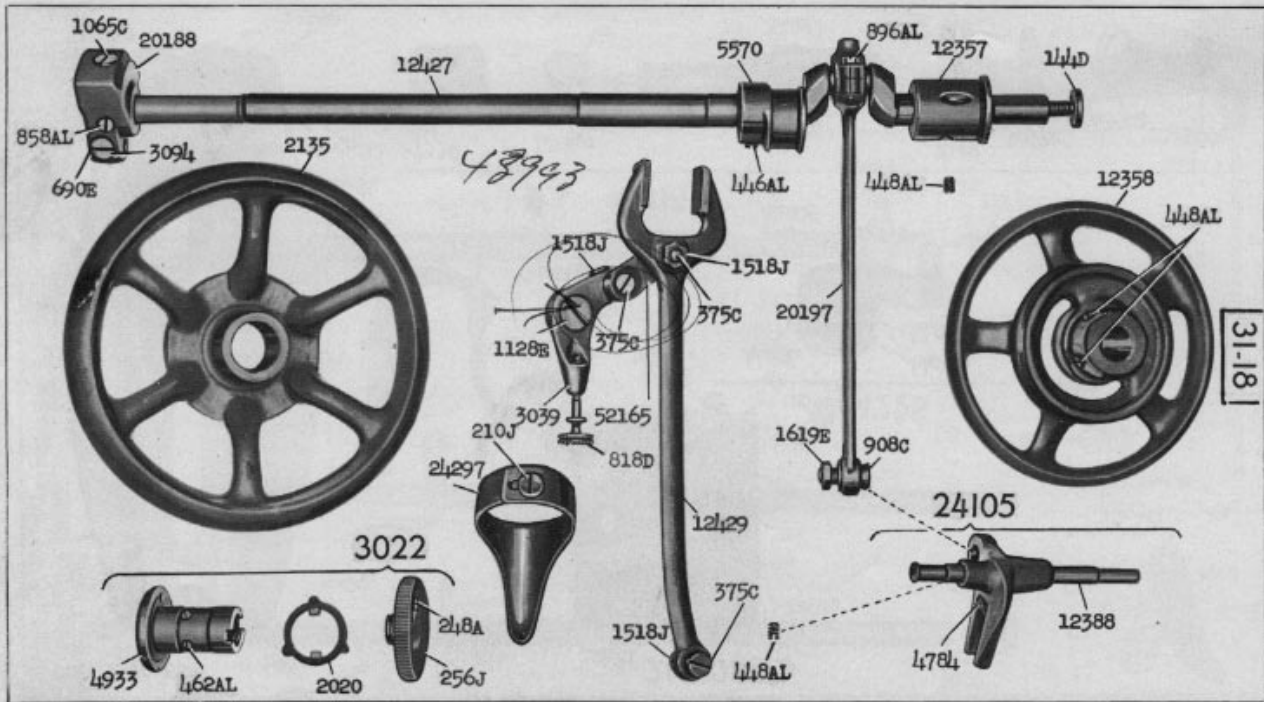
22321 - 1/3

22322 - 1/2

31-29

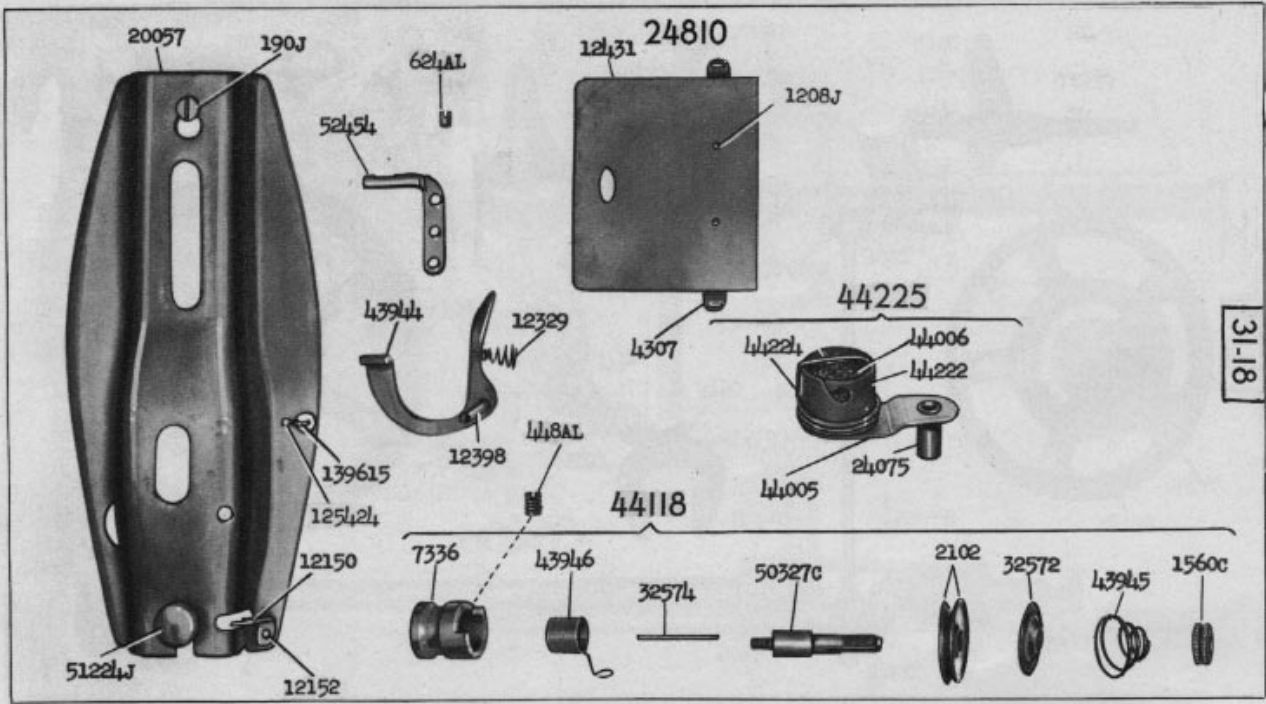


From the library of: Diamond Needle Corp

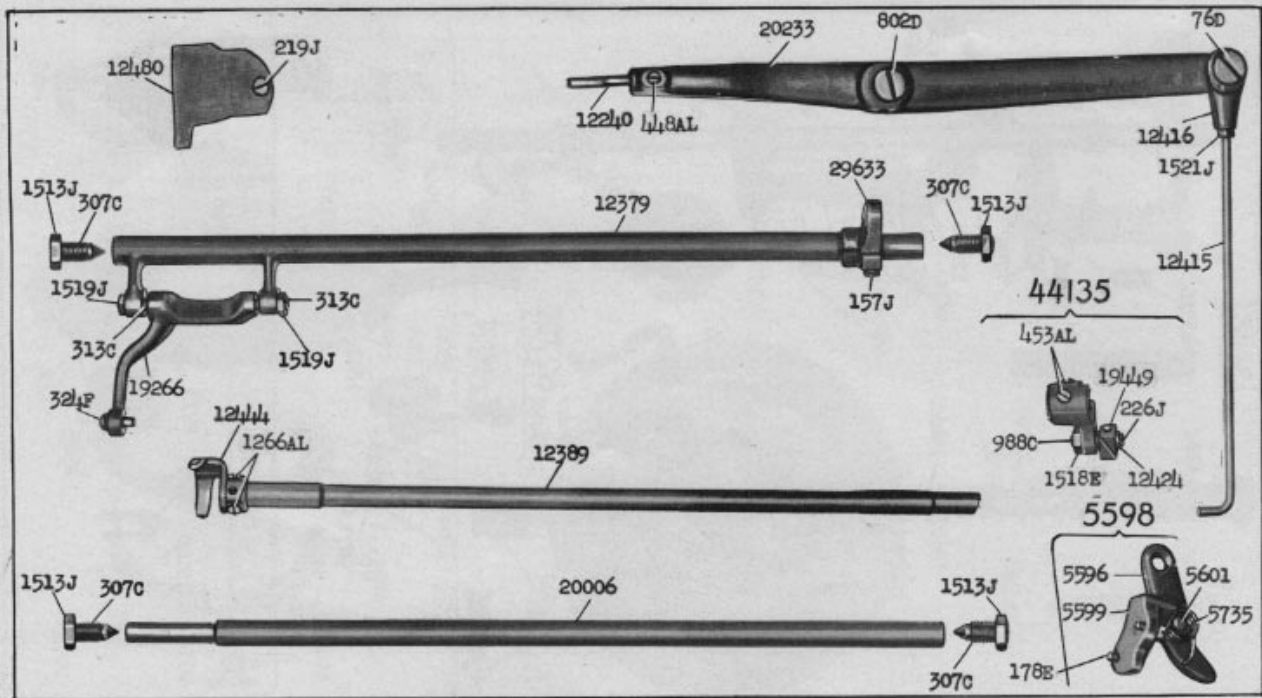


31-18

22324 - 1/3



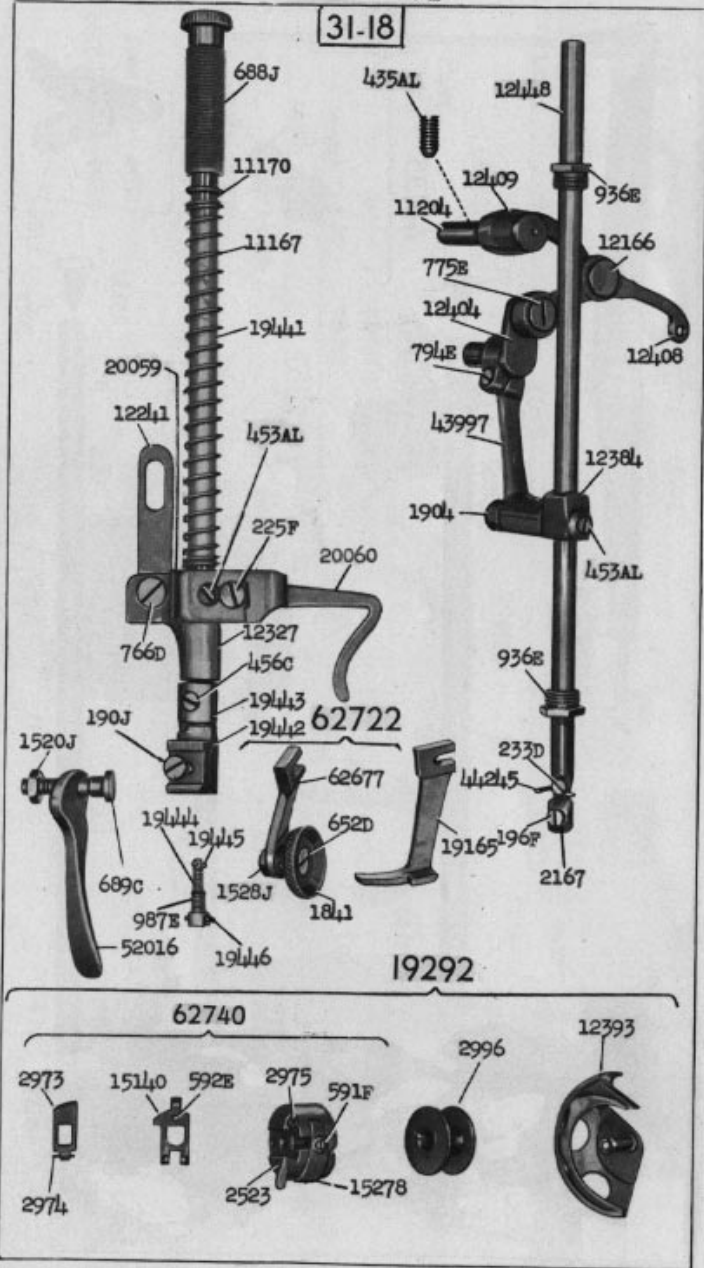
22325 - 1/2
31-18



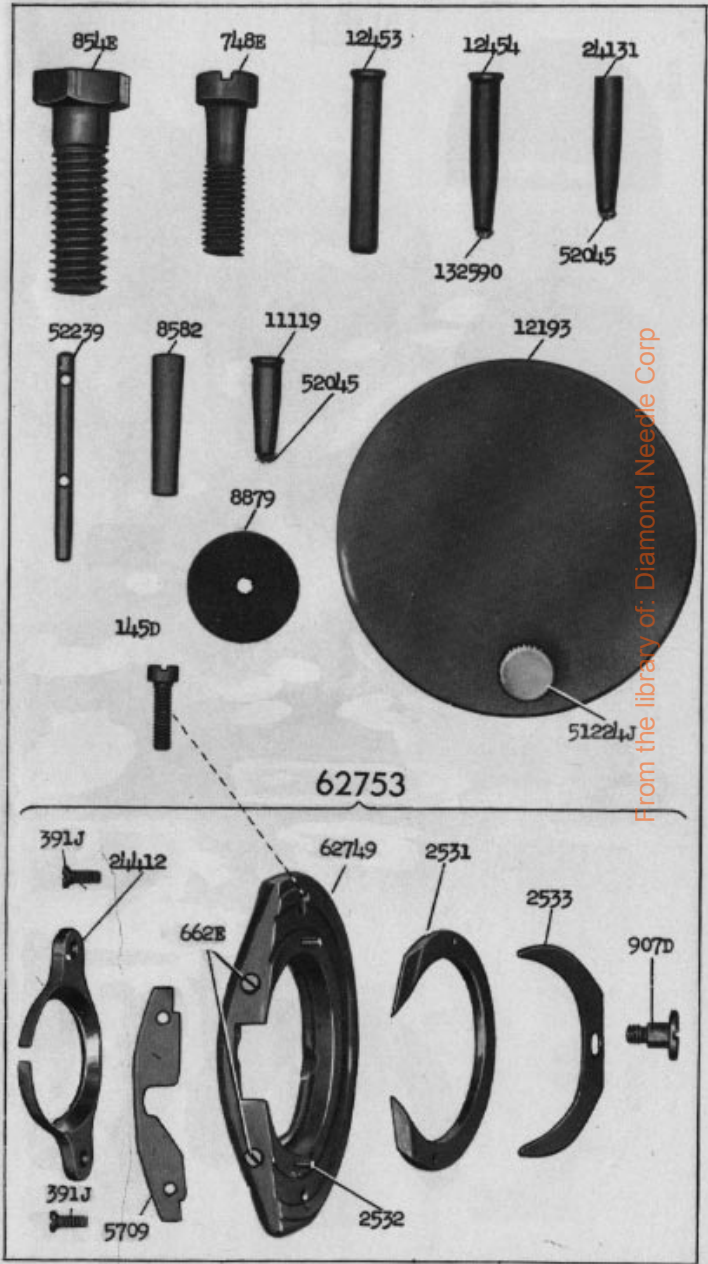
22326 - 1/3

22327 - 1/2

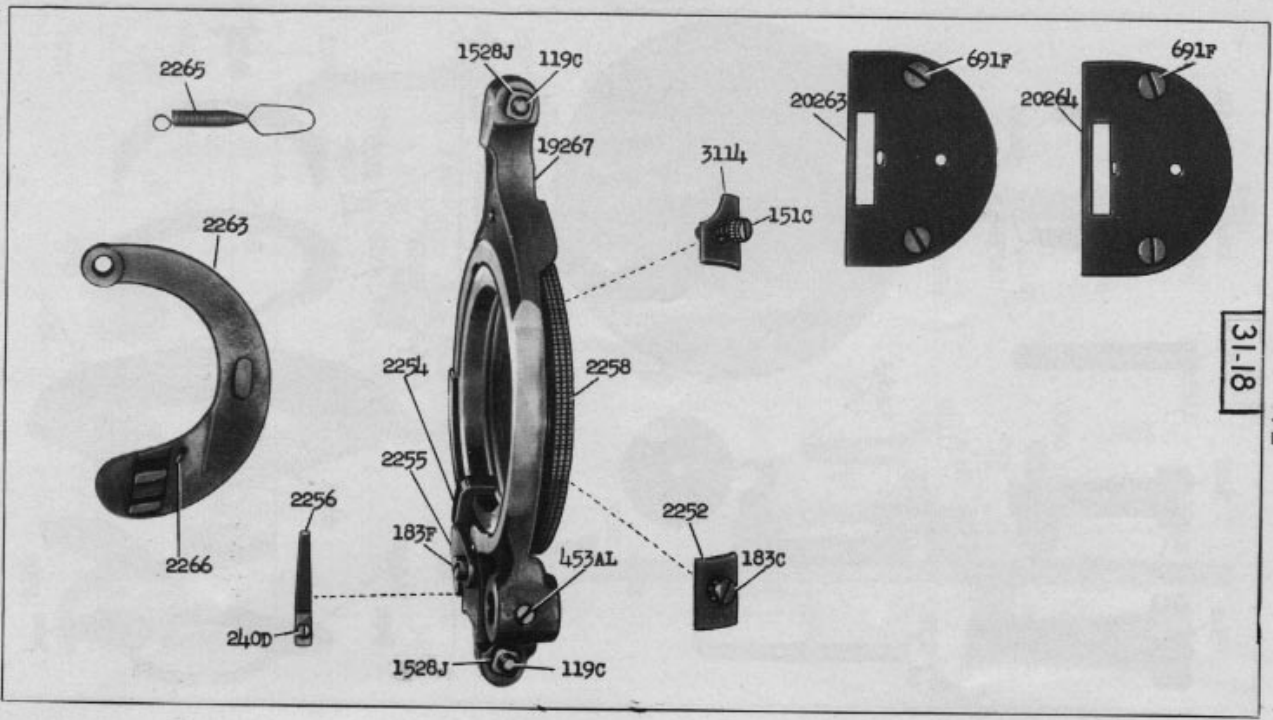
31-18



22328 - 2/3



From the library of: Diamond Needle Corp

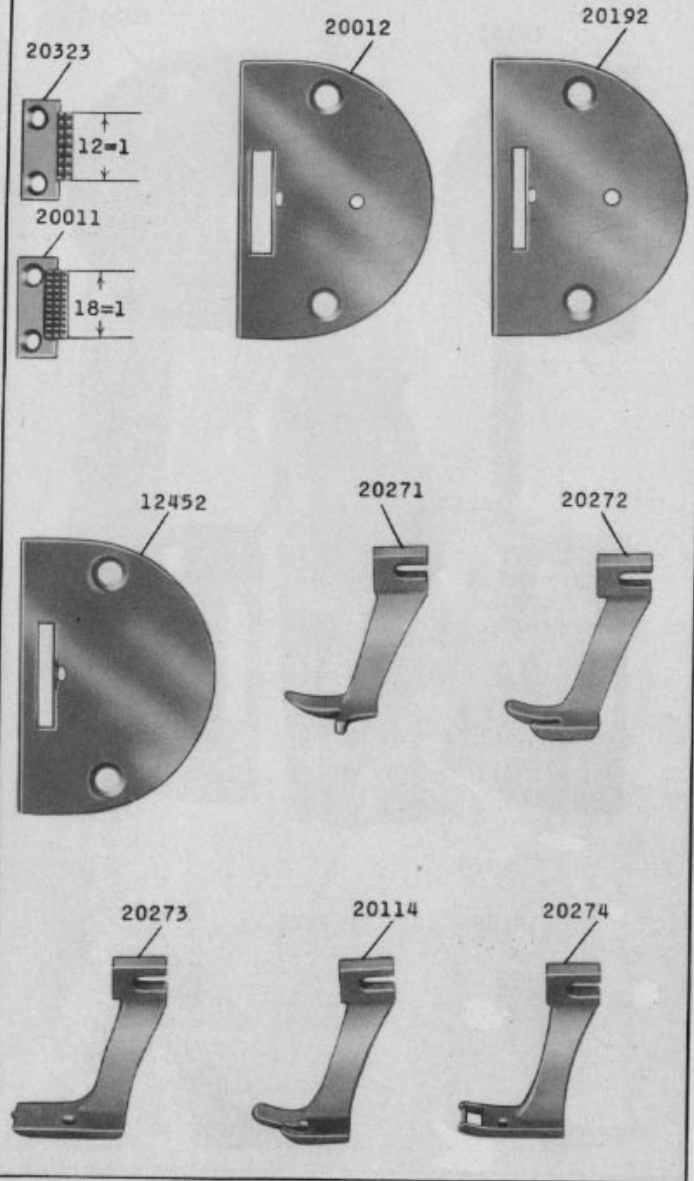


31-18

22329 - 1/2

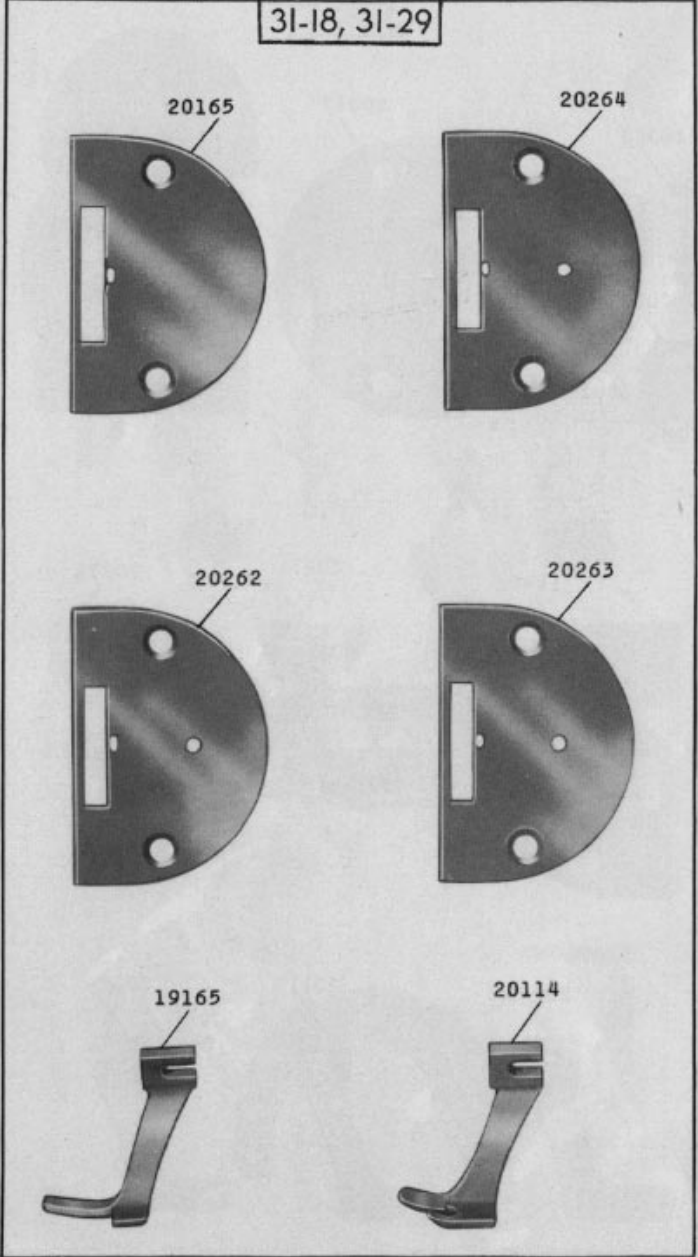
22330 - 2/3

31-17

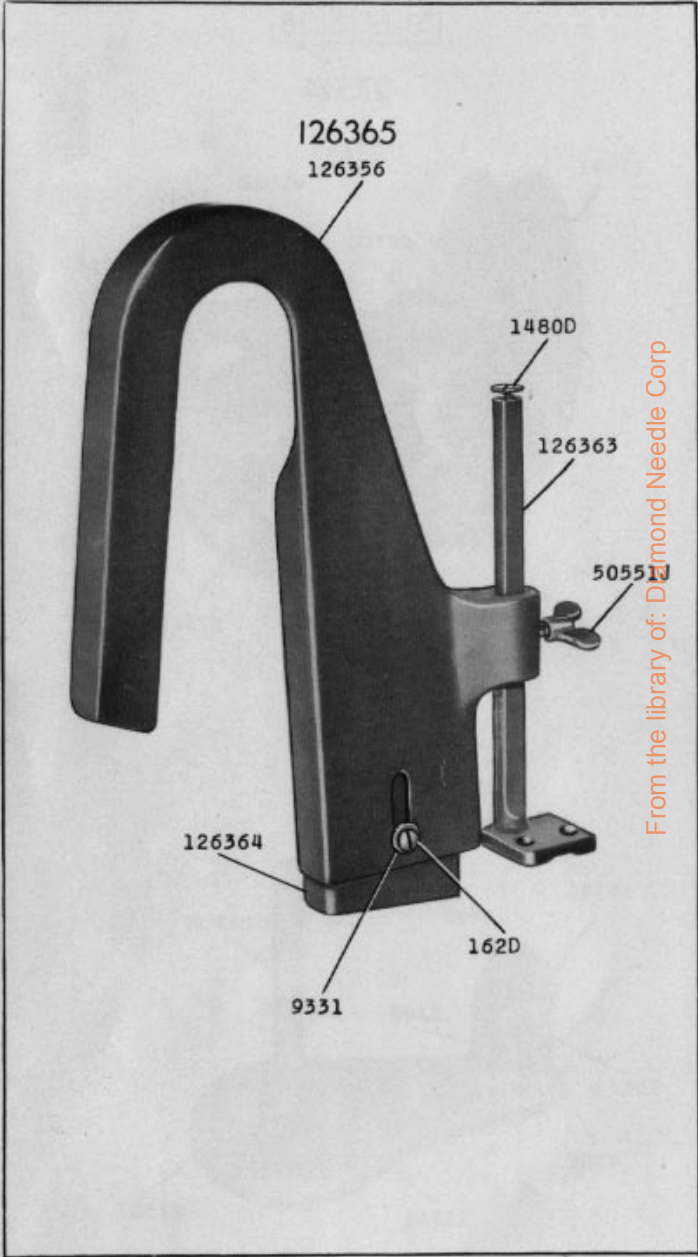


22331 - 2/3

31-18, 31-29



22332 - 1/3

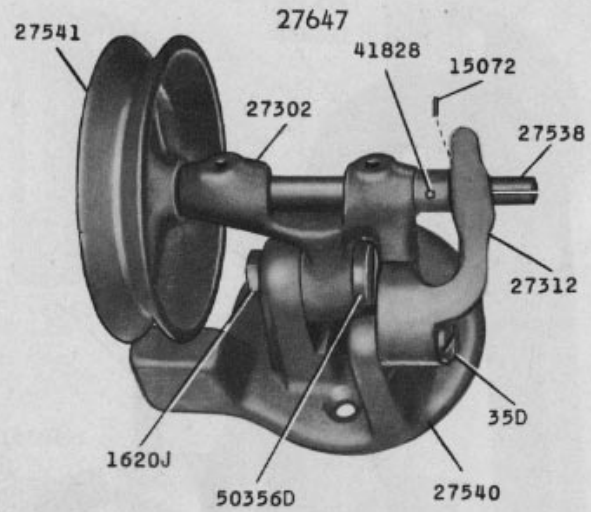


From the library of: **Diamond Needle Corp**

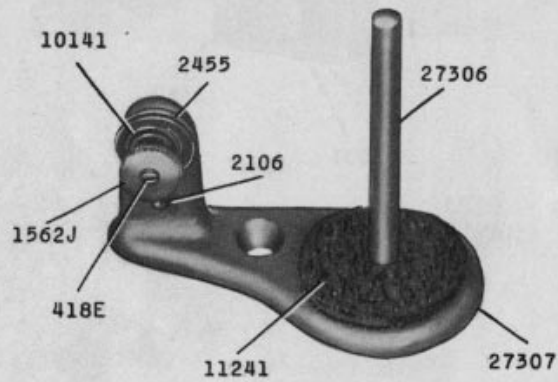
22333 - 2/3

31-17, 31-18

27544



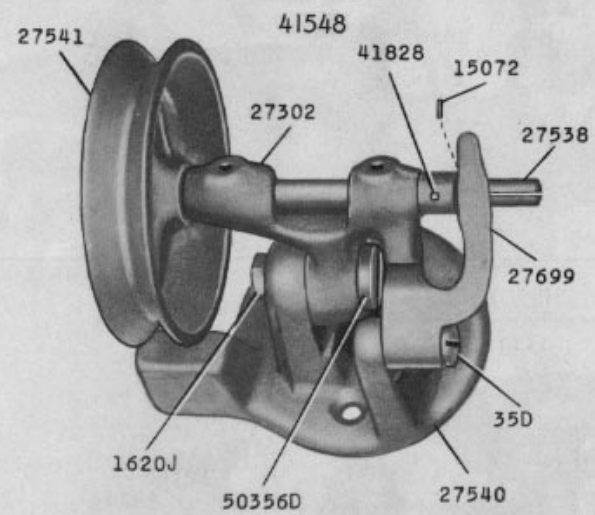
27308



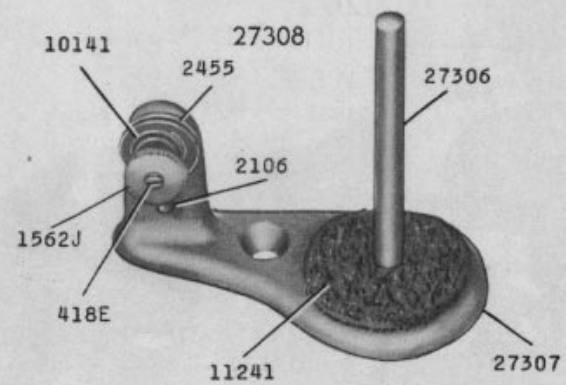
22334 - 2/3

31-29

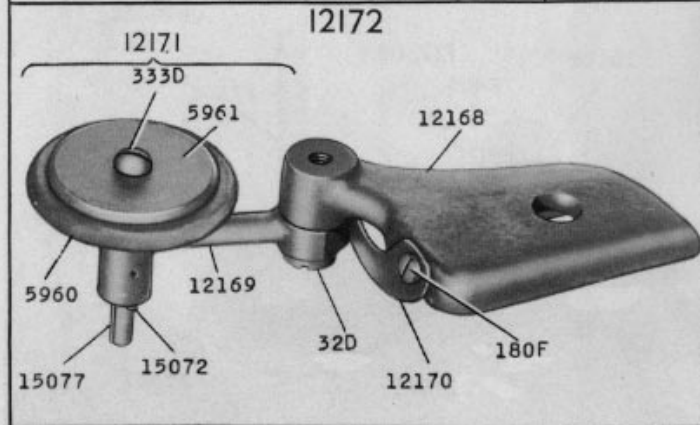
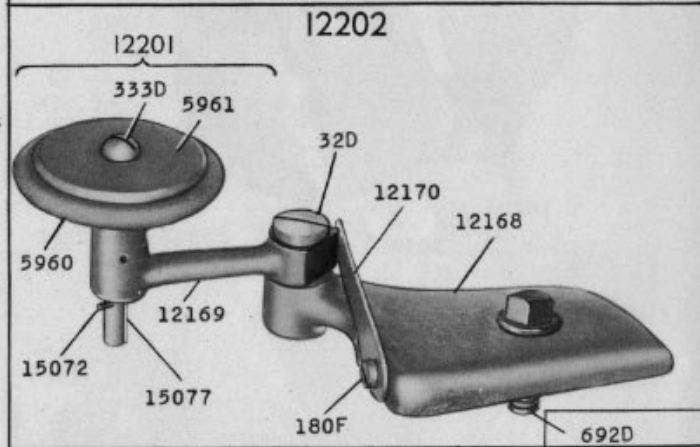
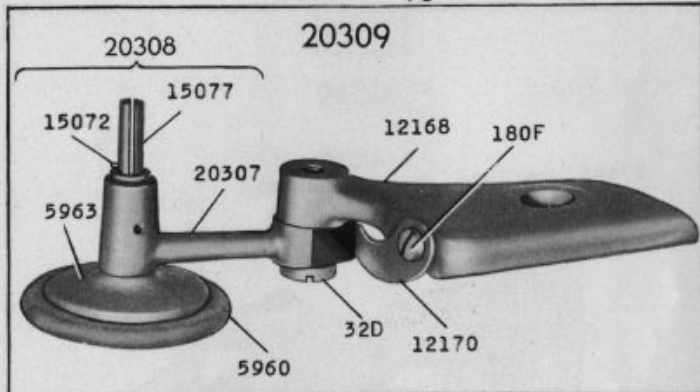
41549



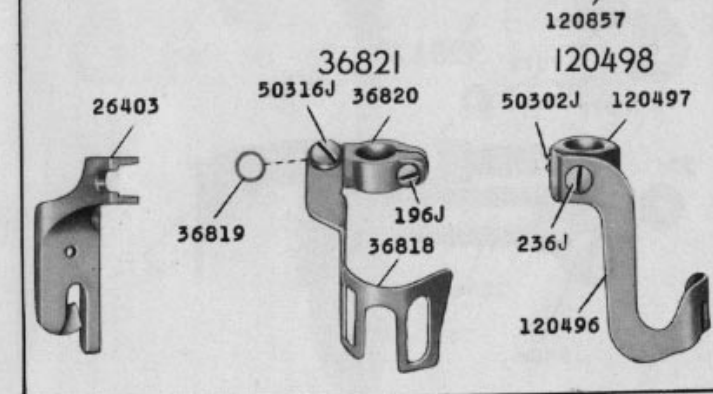
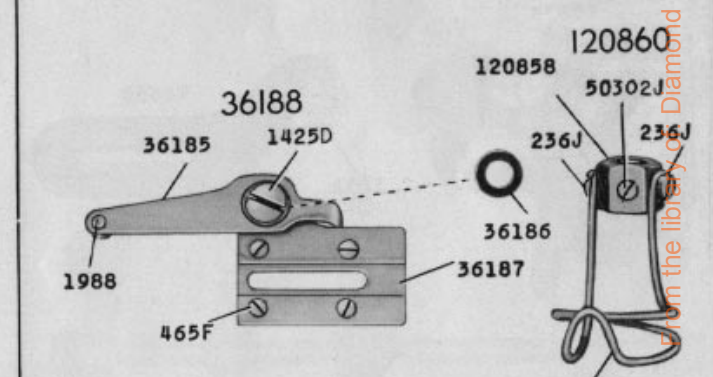
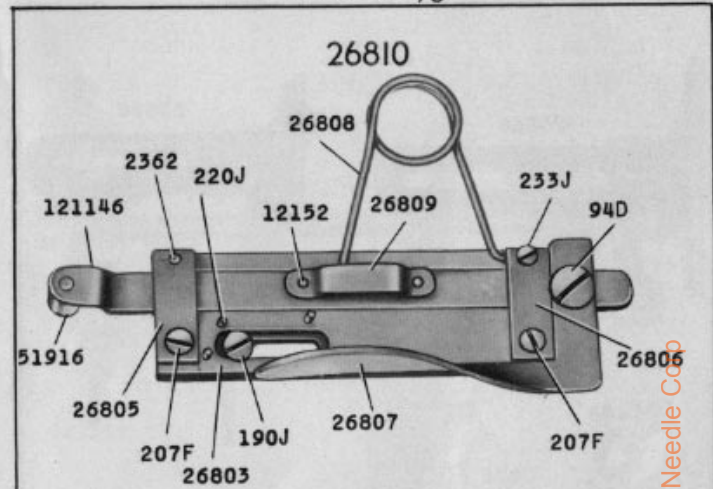
27308



22335 - 2/3

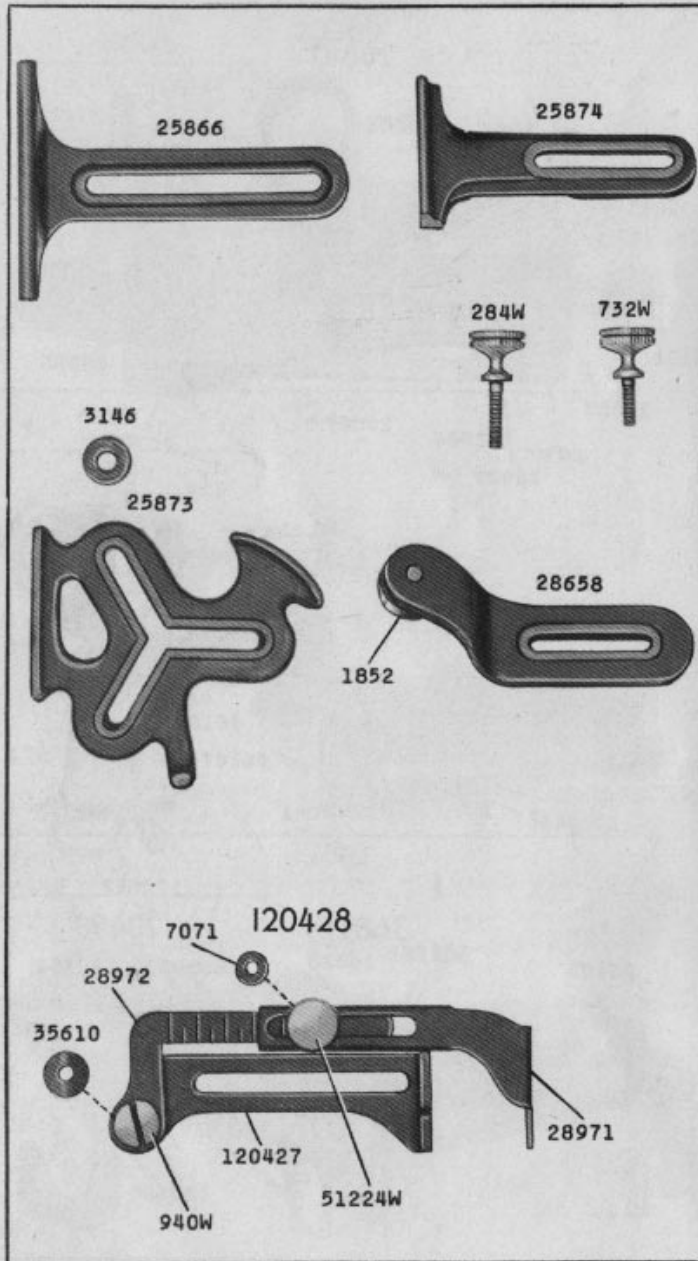


22336 - 2/3

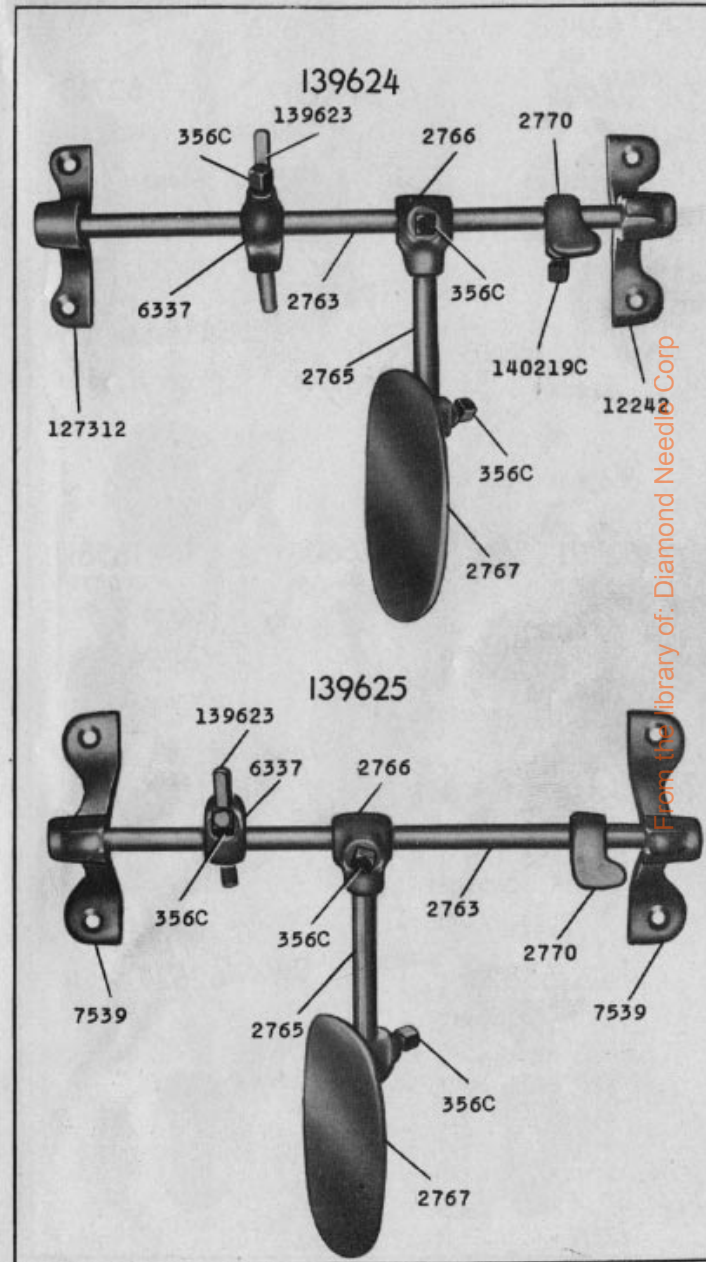


From the library of Diamond Needle Co.

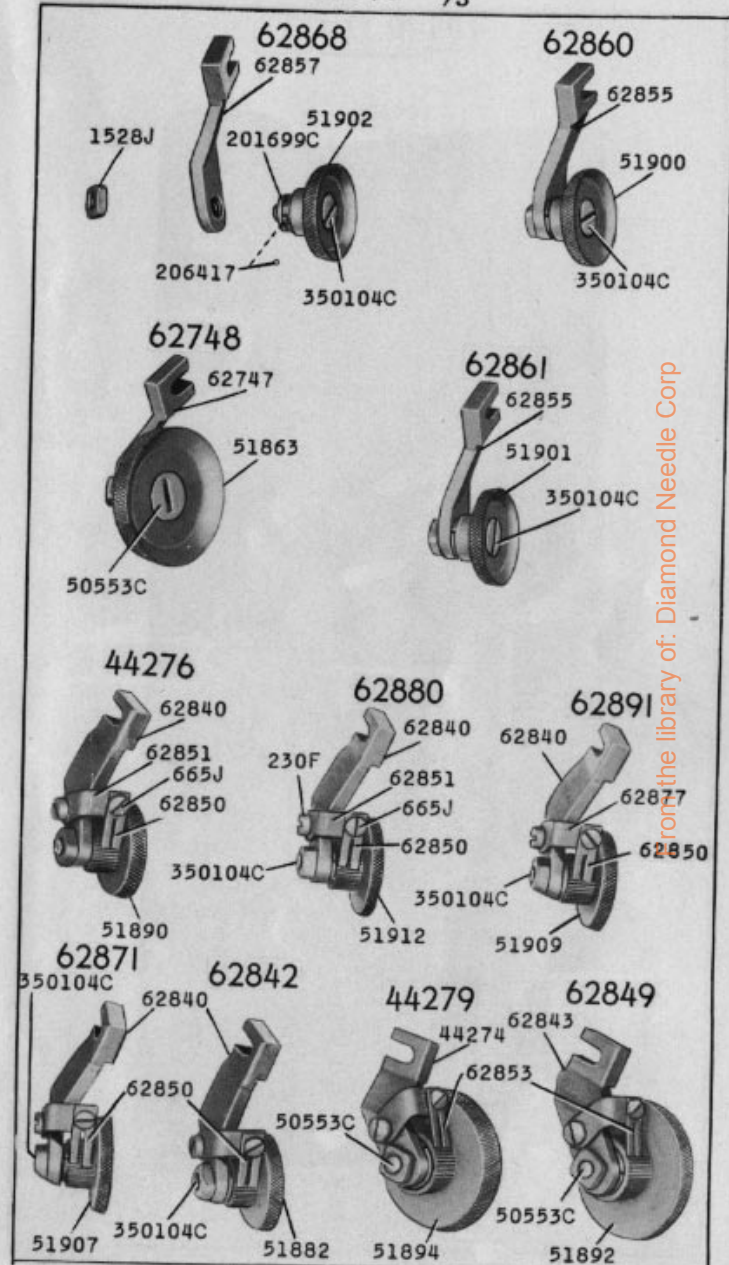
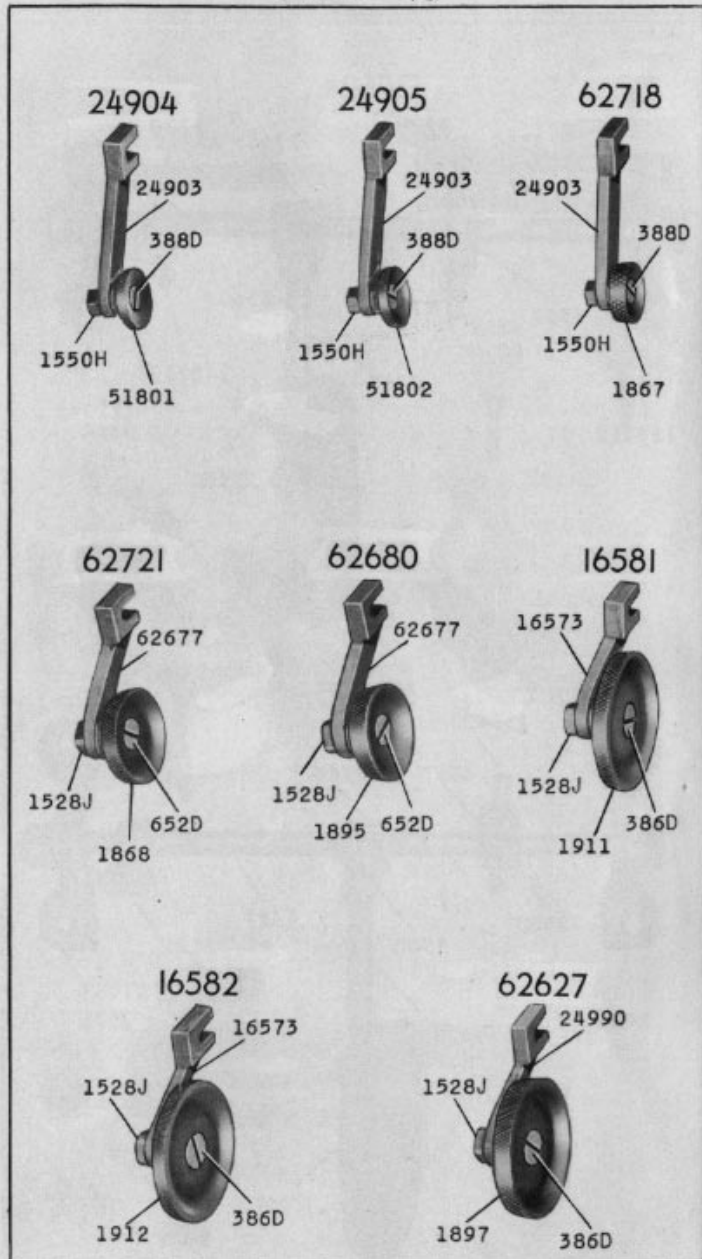
22337 - 2/3



22338 - 1/3



From the library of: Diamond Needle Corp

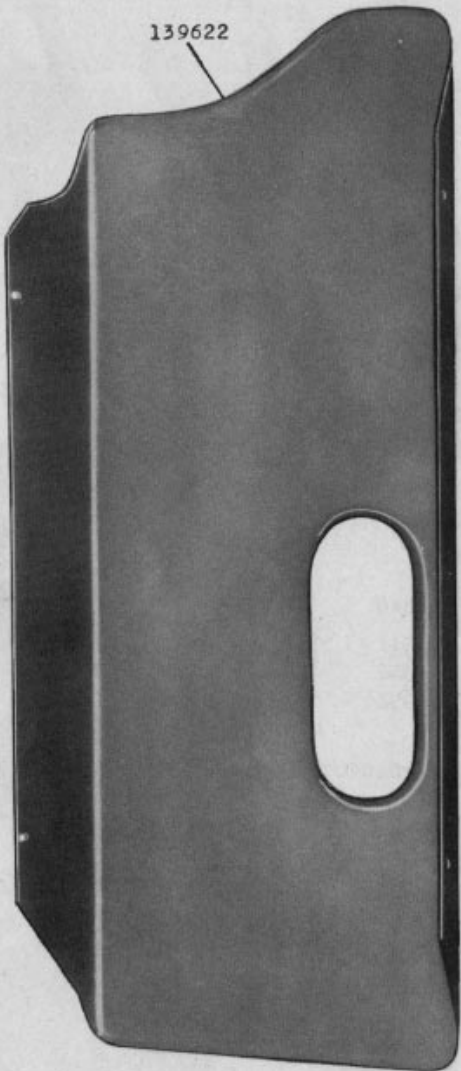


from the library of: Diamond Needle Corp

22341 - 1/3

31-17

139622



22342 - 1/3

31-18, 31-29

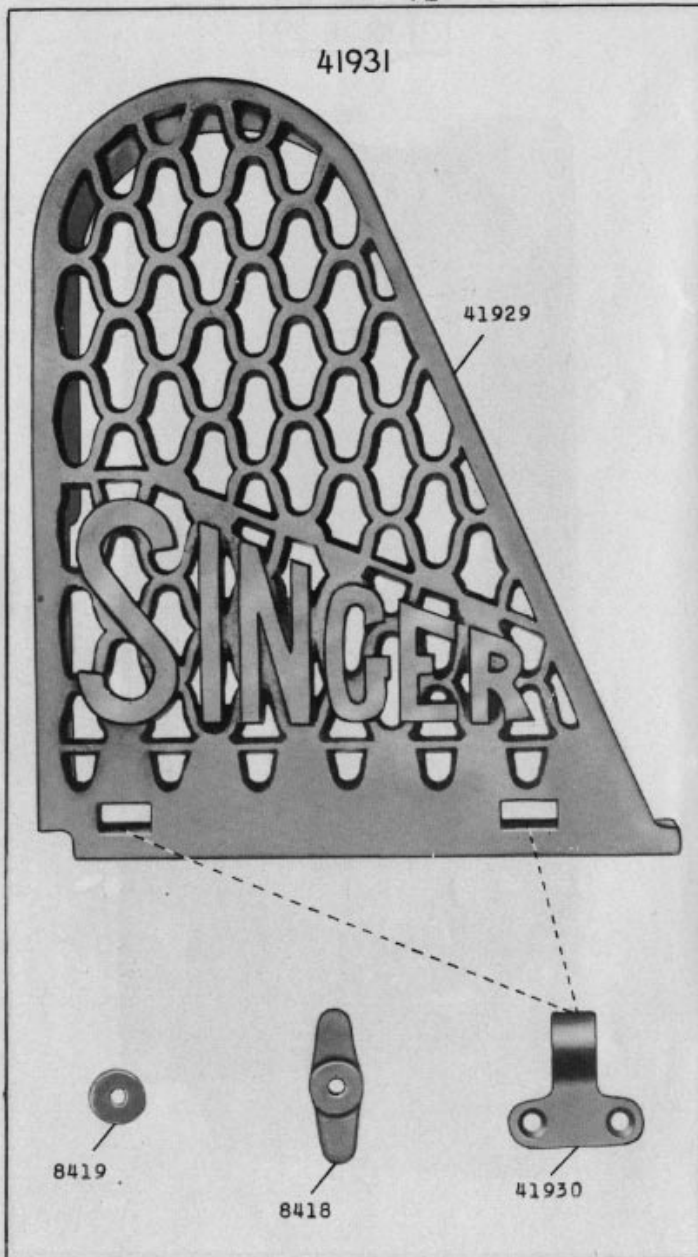
20291



From the library of: Diamond Needle Corp

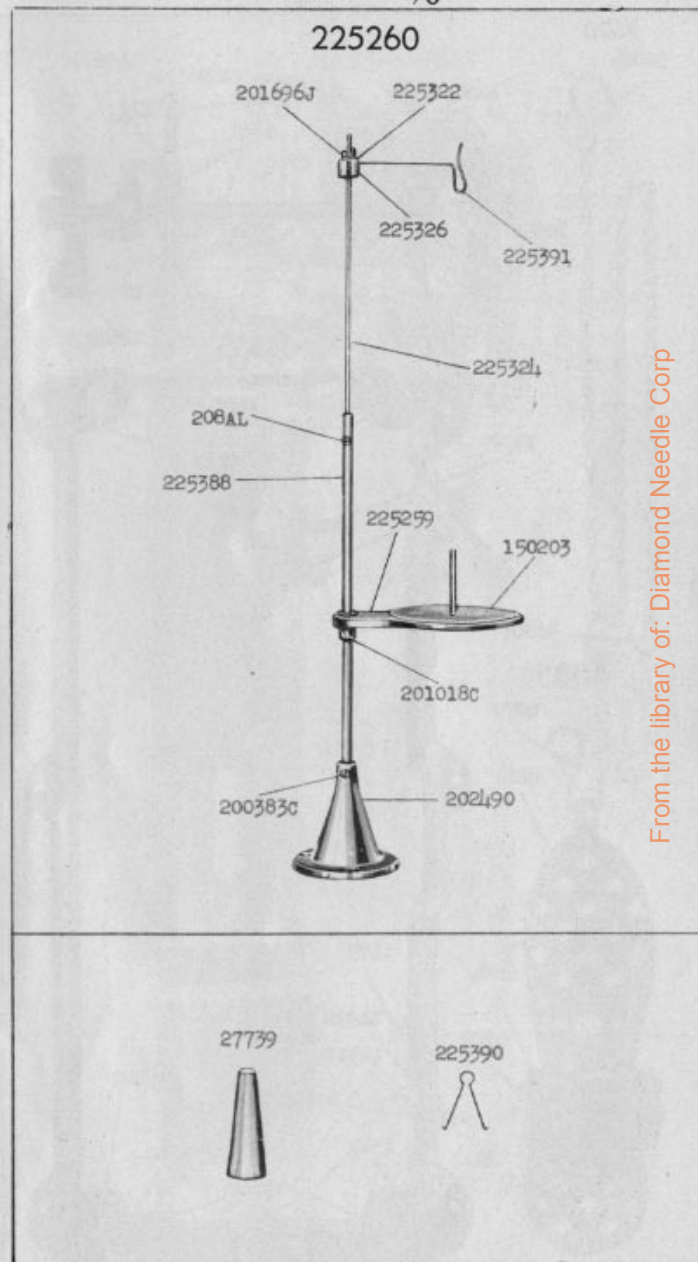
22343 - 1/2

41931



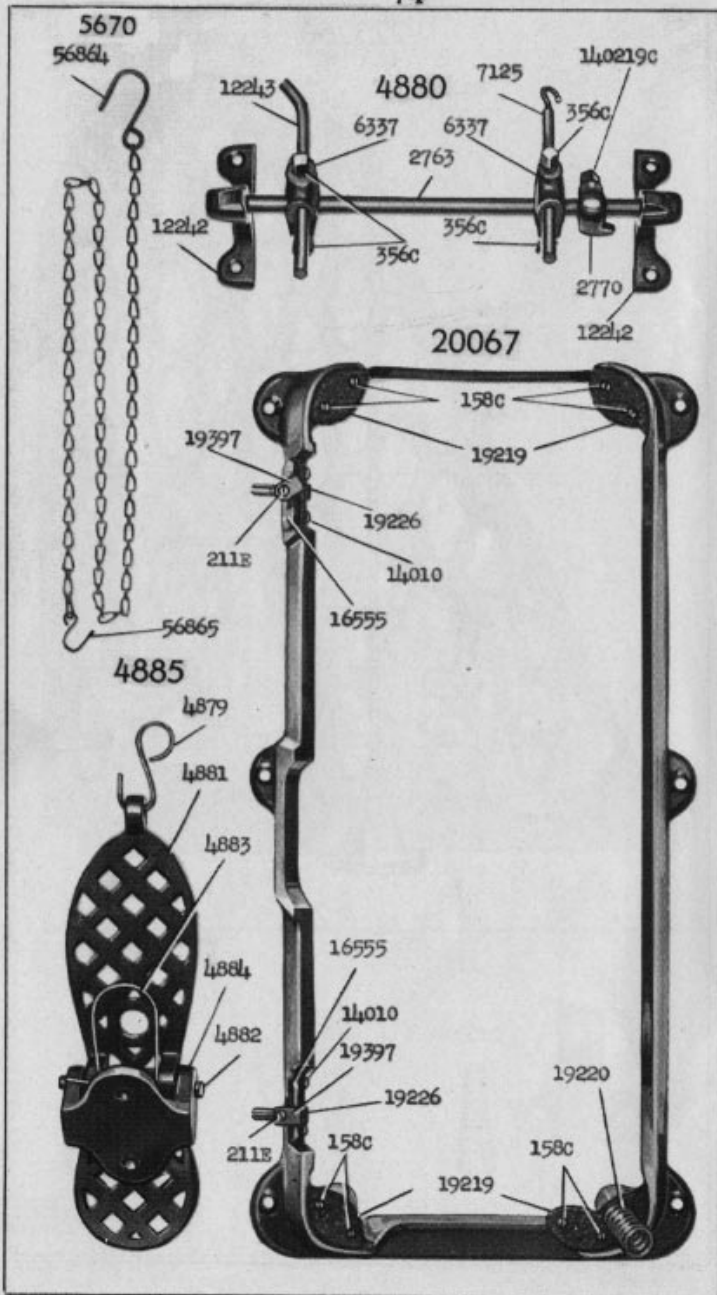
22893 - 1/6

225260

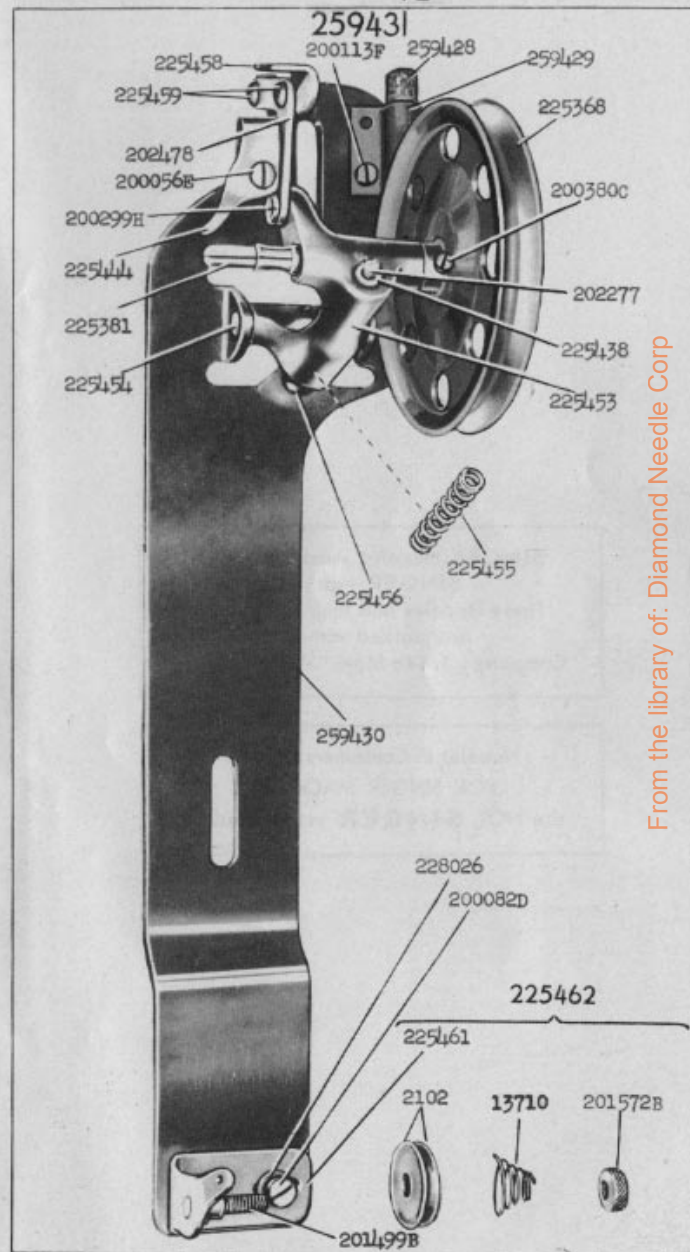


From the library of: Diamond Needle Corp

22909 - 1/4



23217 - 1/2



From the library of: Diamond Needle Corp